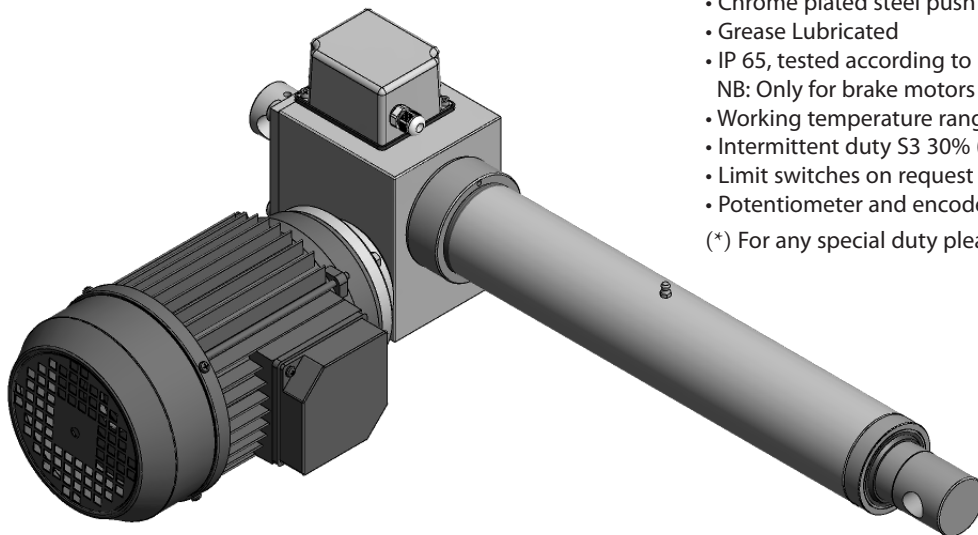


Model AV3

- A.C. motor, flange B14 - CE
 - Worm gearbox
 - Acme lead screw or ballscrew (VRS)
 - Chrome plated steel push rod
 - Grease Lubricated
 - IP 65, tested according to rule CEI EN 60529
 - NB: Only for brake motors Standard IP54, IP65 on request
 - Working temperature range -10°C +60°C
 - Intermittent duty S3 30% (5 min) a 30°C(*)
 - Limit switches on request
 - Potentiometer and encoder on request
- (*) For any special duty please contact our technical dept.



AV3 (Vac 3-phase)					
Fmax (N)	Speed (mm/s)	Version	Motor size	Motor power (KW)	Motor speed (rpm)
* 13000	55	M01	IEC90	3.00	2800
20000	30	M02	IEC90	3.00	2800
25000	20	M03	IEC80	1.80	2800
25000	10	M04	IEC80	1.10	1400
25000	5	M05	IEC80	0.75	1400

AV3 VRS (ballscrew) (Vac 3-phase)					
Fmax (N)	Speed (mm/s)	Version	Motor size	Motor power (KW)	Motor speed (rpm)
* 8000	45	M01	IEC80	0.75	2800
13000	22	M02	IEC80	0.55	1400
25000	15	M03	IEC80	0.75	2800
25000	7	M04	IEC80	0.55	1400

With single-phase motors type M (see motor choice guideline in paragraph ACCESSORIES) performances are 20% lower than the three-phase motor.

* When speed is more than 40 mm/s and/or strokes longer than 350mm, check STROKE SETUP section; BRAKEMOTOR IS RECOMMENDED

BEFORE OPERATING ACTUATOR MAKE SURE YOU READ AND UNDERSTOOD BASIC OPERATIONAL INSTRUCTIONS SHOWN ON USERMANUALS, AVAILABLE FROM WEBSITE.

THIS DOCUMENT DISPLAYS MOST TYPICAL STANDARD FEATURES AND SETUPS: CONTACT OUR OFFICES FOR MORE.

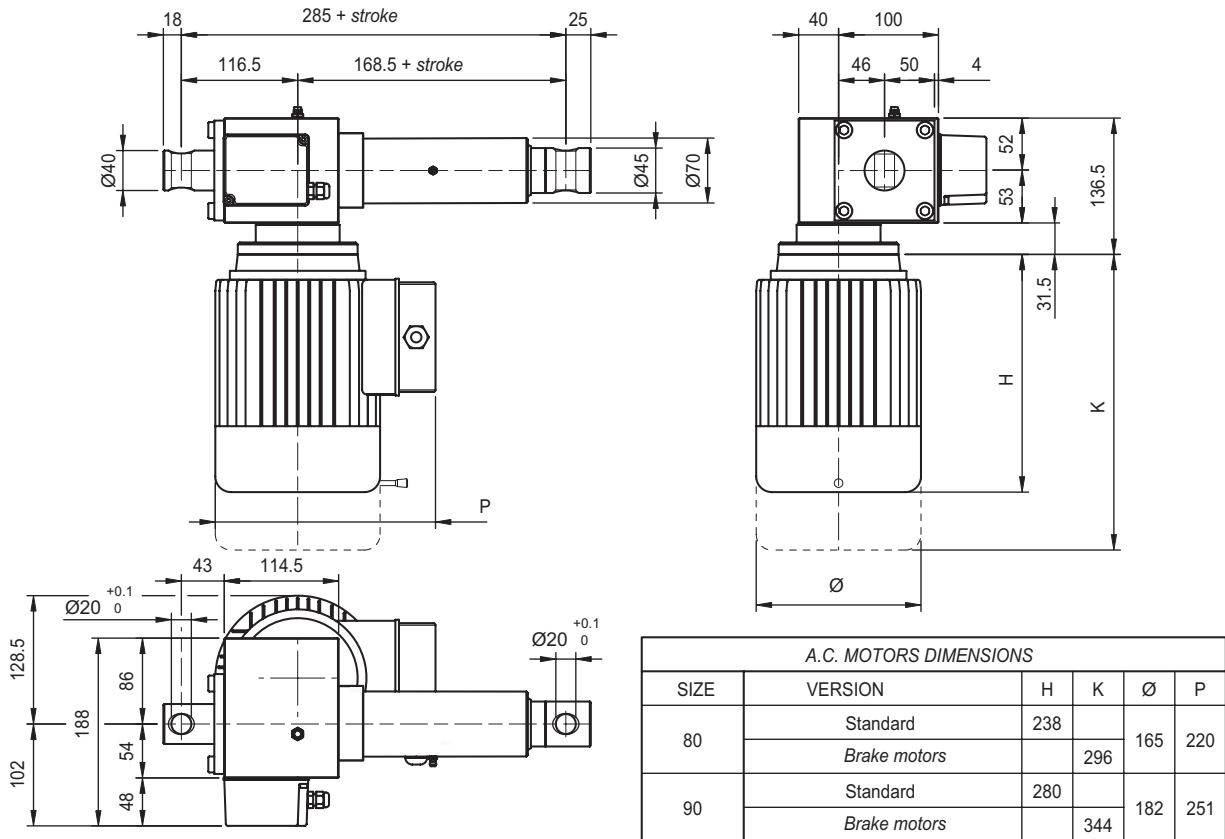
ACTUATOR SHALL NOT COME TO **MECHANICAL STROKE-END**, TO **AVOID FAILURES**.

CONSIDER MECVEL's LIMITSWITCHES (MODEL AV3-F or AV3-FCM) OR PUT THEM ON MACHINE/FRAME.

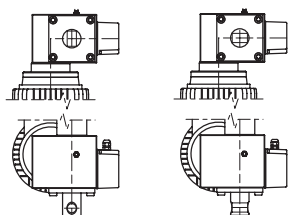


MecVel reserves the right to change products information and/or features without notice; all data contained in this catalogue are purely indicative and not binding for the company.

AV3-F Version with limitswitches



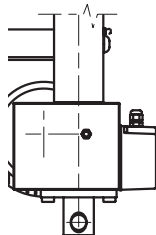
REAR ENDS



P1 Standard

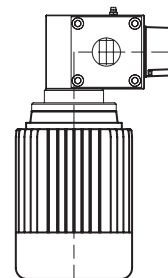
P2 Rotated 90°

E-BOX POSITION



1 Standard

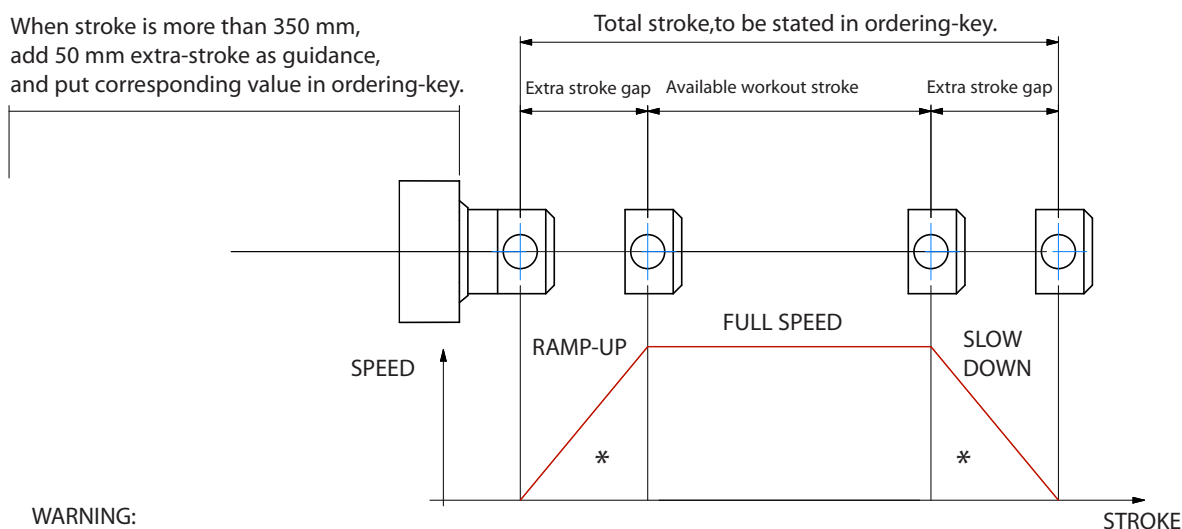
MOTOR AND LIMIT SWITCHES POSITION



M1-FC1
Standard

STROKE SETUP: Useful tips for handling stroke and avoid run-on-block collision.

When stroke is more than 350 mm, add 50 mm extra-stroke as guidance, and put corresponding value in ordering-key.



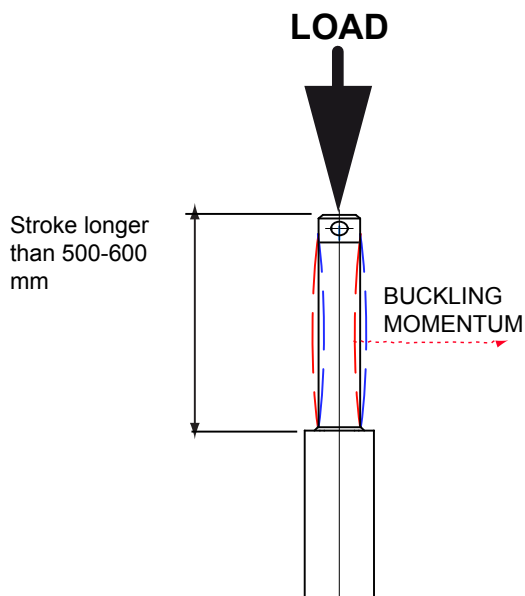
WARNING:

SPEED-TIMING ALONG STROKELENGTH:

ramps are extremely important when speed is > 40mm/s !!! Inverter or PWM drive recommended!

* The more speed raises the more extra stroke has to raise too.

BUCKLING: When stroke is longer than 500mm, BUCKLING can be a risk: please check mounting with our offices and/or see user-manuals.



IMPORTANT:

Long strokes, even if load is low, can generate significant buckling momentums, as sketch shows.

This happens when actuator is in its all-opened position: that's the reason why we recommend 100 mm extra-stroke.

Push tube will have this 100 mm-portion always inside the over tube, improving guidance against buckling.

For more information on this, contact our office.

AV3 / 0250 / M01 / CA-400/50-T-56-4-0,09 / AB / M1-FC1 / 1 / E05 / 2FC2 / P0T01A / P1 / A1

MODEL: _____

AV3 AV3-VRS

STROKE: _____
es. 250 mm = 0250

VERSION: (pag. 49) _____
M01 / M02 / M03 / M04 / M05
M01 / M02 / M03 / M04 (Version VRS ballscrew)
M00 = Not standard speed
Flanged Version = Rpm
Advise reduction ratio and screw pitch

MOTOR: (pag. ACCESSORIES) _____
Advise only if with motor:
version, voltage, type, size, n°pole, power
With motorflange only put 0
With special motorflange put: PD

AC MOTOR OPTIONS: (pag. ACCESSORIES) _____
Motorflange: for motorflange version only advise size - i.e.for IEC80 B14 put 80B14
No motor: leave all following parameters blank
Protection Degree: IP65, for selfbrake motor IP54 standard
Brake type: for brakemotors only: ES. FECA
Options: Advise if needed (ES. AB 2'shaft)

MOTOR AND LIMIT SWITCHES POSITION: _____
M1-FC1 None: Leave blank

E-BOX POSITION: _____
1 No Motor: Leave blank

ENCODER: (pag. ACCESSORIES) _____
None: Leave blank

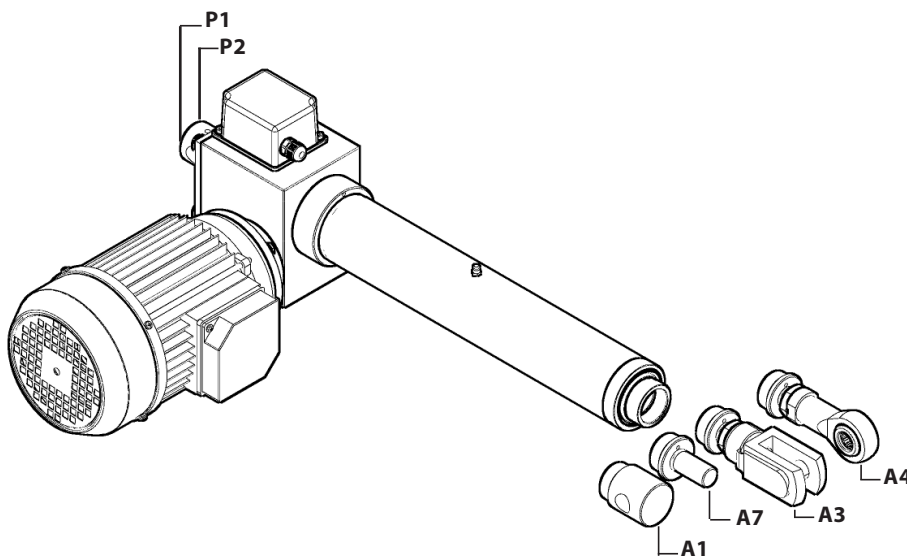
LIMIT SWITCHES: (pag. ACCESSORIES) _____
None: Leave blank

POTENTIOMETER: (pag. ACCESSORIES) _____
POT01A (1Kohm) **POT10A** (10Kohm) None: Leave blank

REAR END: _____
P1 = Eyelet (standard) **P2** = Eyelet (90°)

FRONT END: _____
A1 = Eyelet (Std pag.50) **A4** = Rod end
A3 = Yoke + Clip **A7** = M12 male

NOTE: COMPLETE THE ORDERING KEY ADDING THE OPTIONS YOU CAN FIND IN THE "ACCESSORIES AND OPTIONS" SECTION



Note: "B" dimension changes according to model

- AV3 = See pictures
- With safety nut "G" = + 40 mm
- AV3-VRS = + 20 mm
- Bellows = + 25mm

