

t: +(27) 011 468 1881 c: +(27) 074 465 1744
 e: 01@BirCraft.co.za w: www.BirCraft.co.za

Industrial DC Motor

BA-INDC-14



BirCraft can offer the perfect solution specific to each customer's needs. We understand that our customer has a unique requirement when looking for a DC Motor and that not all DC motors are the same

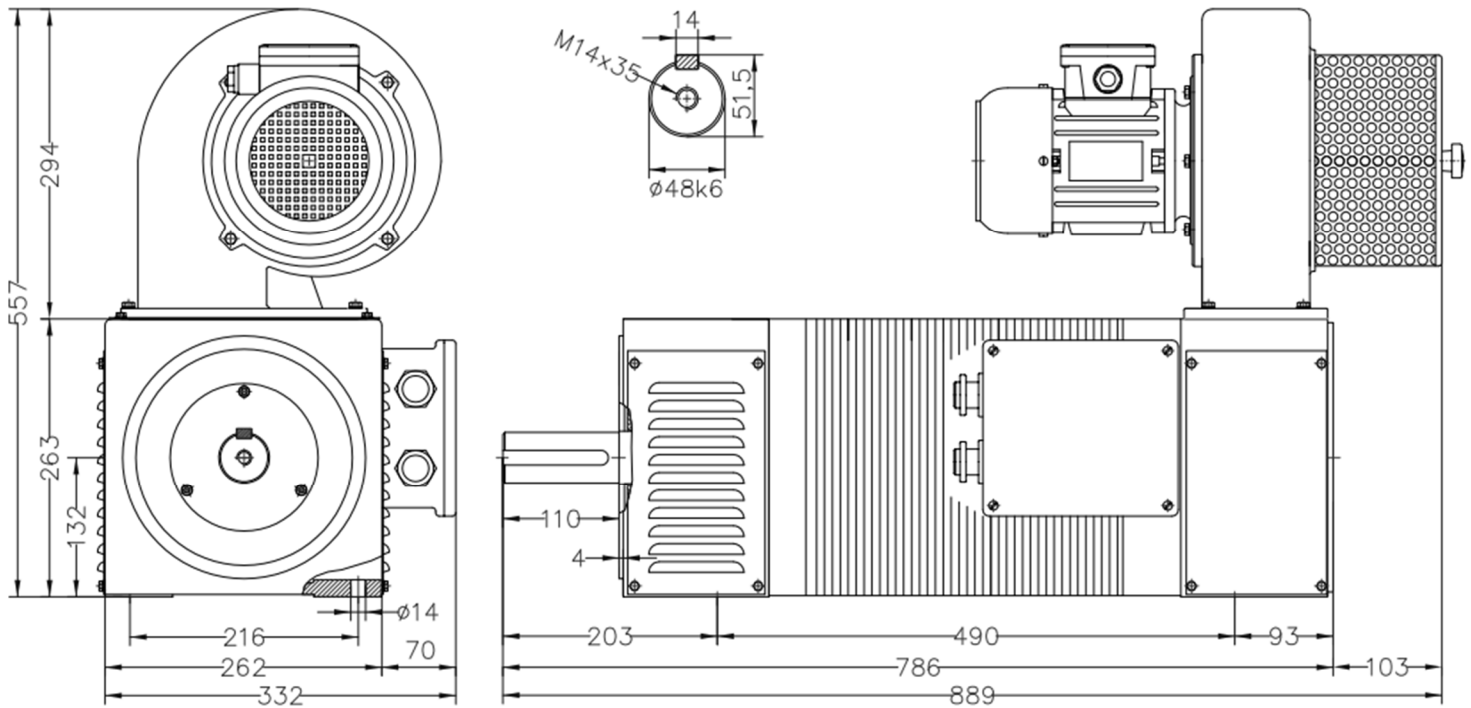
Selection Table:

TORQUE (N·m)	KW	RPM					AMPS	%
		180 V	280 V	320 V	400 V	440 V		
145,0	22,01	-	-	-	-	1450	55,0	91
145,0	20,49	-	-	-	1350	-	54,2	90
145,0	19,74	-	-	1300	-	-	56,1	88
145,0	13,66	-	900	-	-	-	56,1	87
145,0	8,96	590	-	-	-	-	58,6	85
141,0	29,52	-	-	-	-	2000	74,5	90
141,0	28,05	-	-	-	1900	-	75,9	88
141,0	26,57	-	-	1800	-	-	77,2	86
141,0	18,45	-	1250	-	-	-	77,5	85
141,0	11,81	800	-	-	-	-	78,1	84
129,7	32,60	-	-	-	-	2400	82,3	90
129,7	31,24	-	-	-	2300	-	84,5	88
129,7	29,20	-	-	2150	-	-	83,9	87
129,7	20,38	-	1500	-	-	-	85,6	85
129,7	12,90	950	-	-	-	-	85,3	84
120,6	36,00	-	-	-	-	2850	91,9	89
120,6	34,11	-	-	-	2700	-	92,3	88
120,6	32,84	-	-	2600	-	-	94,4	87
120,6	22,73	-	1800	-	-	-	95,5	85
120,6	14,53	1150	-	-	-	-	96,1	84

Specifications:

PROTECTION CLASS: IP23 – Protection against objects larger than 12 mm and from vertical to 60°C	ALTITUDE: 1000 m
COOLING: IC06 – Ventilation in free circulation with separate fan unit installed on motor	DUTY CYCLE: S1 - Continuous
INSULATION CLASS: H - 180°C	THERMAL PROTECTION: 130°C - Thermo Switch (NC)
AMBIENT TEMPERATURE: 40°C	WEIGHT: 207 KG
MOUNTING: B3 - Foot	

Drawing:



Options:

- Alternative Cooling options;
- Available in Shunt and Compound;
- Custom Manufactured to Specification;
- Flange Mounting;
- Increased IP Rating (IP44 / IP54);
- Tachogenerators.