

## Industrial DC Motor

### BA-INDC-22



BirCraft can offer the perfect solution specific to each customer's needs. We understand that our customer has a unique requirement when looking for a DC Motor and that not all DC motors are the same

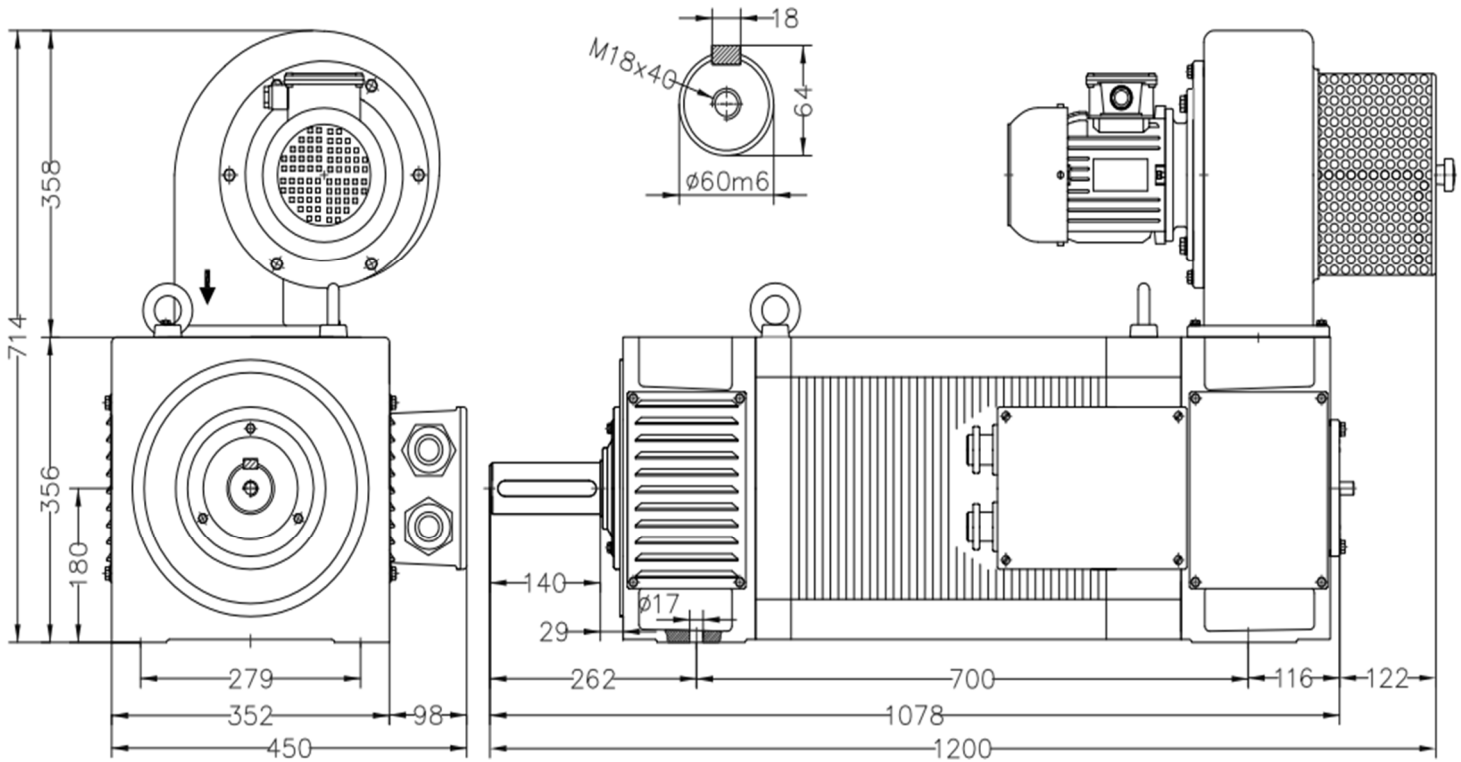
### Selection Table:

TORQUE (N·m)	KW	RPM					AMPS	%
		180 V	280 V	320 V	400 V	440 V		
668,5	133,00	-	-	-	-	1900	328,6	92
668,5	127,02	-	-	-	1815	-	332,4	91
668,5	121,12	-	-	1730	-	-	340,2	89
668,5	84,71	-	1210	-	-	-	343,8	88
668,5	54,62	780	-	-	-	-	352,8	86
668,5	105,00	-	-	-	-	1500	259,4	92
668,5	100,09	-	-	-	1430	-	264,8	90
668,5	95,17	-	-	1360	-	-	270,4	88
668,5	66,47	-	950	-	-	-	272,9	87
668,5	42,67	610	-	-	-	-	275,7	86
651,1	75,00	-	-	-	-	1100	185,3	92
651,1	71,59	-	-	-	1050	-	187,3	91
651,1	68,18	-	-	1000	-	-	191,5	89
651,1	47,73	-	700	-	-	-	193,7	88
651,1	30,68	450	-	-	-	-	198,2	86
592,1	49,60	-	-	-	-	800	123,9	91
592,1	47,10	-	-	-	760	-	126,0	89
592,1	44,97	-	-	725	-	-	127,7	88
592,1	31,63	-	510	-	-	-	129,8	87
592,1	20,48	330	-	-	-	-	135,4	84

### Specifications:

<b>PROTECTION CLASS:</b>	IP23 – Protection against objects larger than 12 mm and from vertical to 60°C	<b>ALTITUDE:</b>	1000 m
<b>COOLING:</b>	IC06 – Ventilation in free circulation with separate fan unit installed on motor	<b>DUTY CYCLE:</b>	S1 - Continuous
<b>INSULATION CLASS:</b>	H - 180°C	<b>THERMAL PROTECTION:</b>	130°C - Thermo Switch (NC)
<b>AMBIENT TEMPERATURE:</b>	40°C	<b>WEIGHT:</b>	502 KG
<b>MOUNTING:</b>	B3 - Foot		

## Drawing:



## Options:

- Alternative Cooling options;
- Available in Shunt and Compound;
- Custom Manufactured to Specification;
- Flange Mounting;
- Increased IP Rating (IP44 / IP54);
- Tachogenerators.