

## Industrial DC Motor

### BA-INDC-8



BirCraft can offer the perfect solution specific to each customer's needs. We understand that our customer has a unique requirement when looking for a DC Motor and that not all DC motors are the same

### Selection Table:

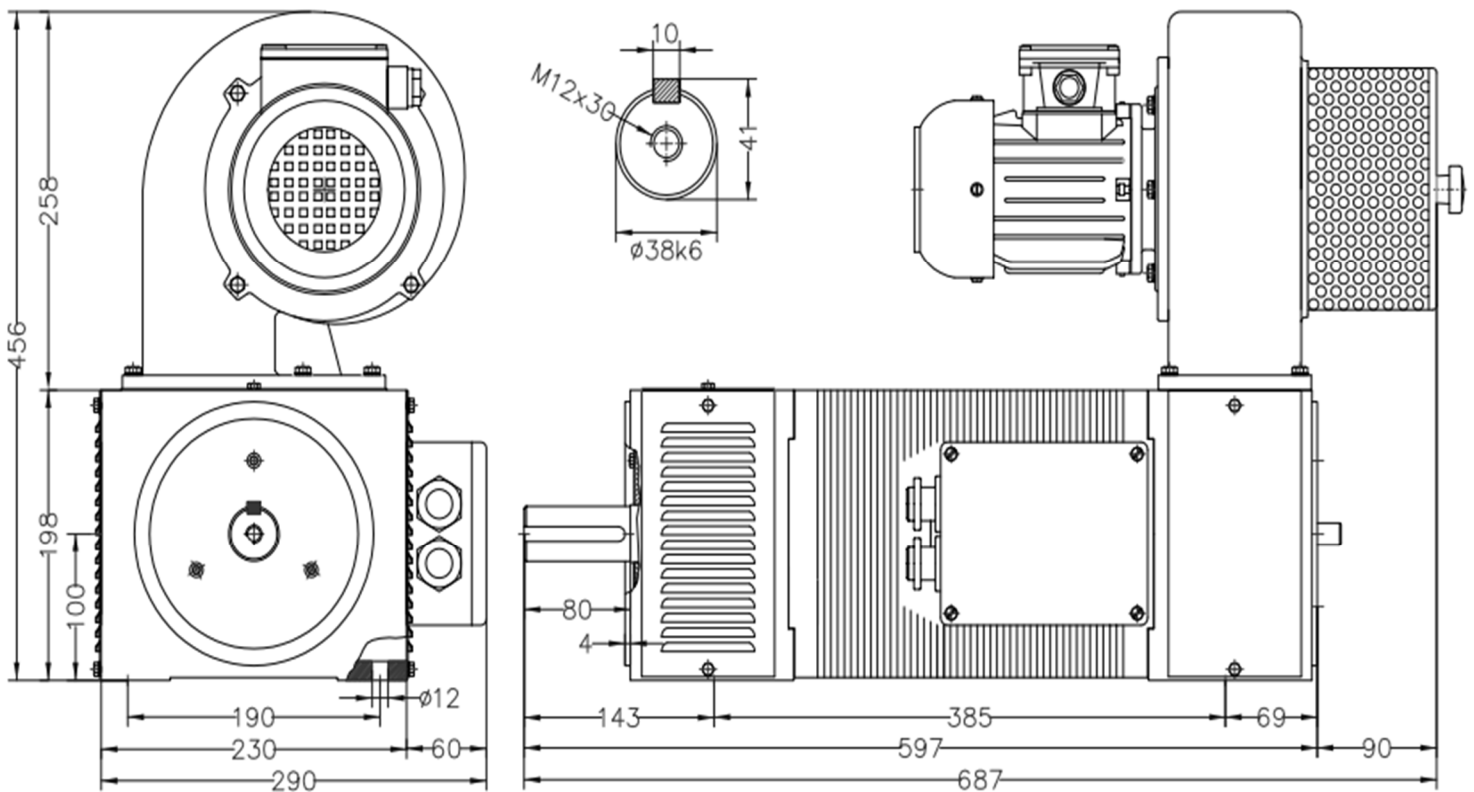
TORQUE (N·m)	KW	RPM					AMPS	%
		180 V	280 V	320 V	400 V	440 V		
42,0	11,00	-	-	-	-	2500	28,0	89
42,0	9,99	-	-	-	2270	-	28,7	87
42,0	8,01	-	-	1820	-	-	29,1	86
42,0	7,00	-	1590	-	-	-	29,7	84
42,0	4,49	1020	-	-	-	-	30,4	82
41,8	8,75	-	-	-	-	2000	22,6	88
41,8	7,96	-	-	-	1820	-	22,9	87
41,8	6,34	-	-	1450	-	-	23,3	85
41,8	5,56	-	1270	-	-	-	23,9	83
41,8	3,59	820	-	-	-	-	24,6	81
41,1	5,60	-	-	-	-	1300	14,5	88
41,1	5,08	-	-	-	1180	-	14,8	86
41,1	4,05	-	-	940	-	-	14,9	85
41,1	3,58	-	830	-	-	-	15,6	82
41,1	2,28	530	-	-	-	-	15,8	80
35,8	10,87	-	-	-	2900	-	32,0	85
35,8	8,70	-	-	2320	-	-	32,7	83
35,8	7,61	-	2030	-	-	-	34,0	80
35,8	4,87	1300	-	-	-	-	34,7	78
34,0	10,50	-	-	-	-	2950	27,4	87
34,0	9,54	-	-	-	2680	-	27,7	86
34,0	7,62	-	-	2140	-	-	28,3	84
34,0	6,69	-	1880	-	-	-	29,5	81
34,0	4,31	1210	-	-	-	-	31,1	77
30,0	5,37	-	-	-	-	1710	14,0	87
30,0	4,90	-	-	-	1560	-	14,2	86
30,0	3,90	-	-	1240	-	-	14,7	83
30,0	3,43	-	1090	-	-	-	15,1	81
30,0	2,20	700	-	-	-	-	15,7	78
28,1	6,47	-	-	-	-	2200	17,1	86
28,1	5,88	-	-	-	2000	-	17,3	85
28,1	4,70	-	-	1600	-	-	17,5	84
28,1	4,12	-	1400	-	-	-	17,9	82
28,1	2,65	900	-	-	-	-	18,6	79
28,1	7,35	-	-	2500	-	-	28,7	80
28,1	6,44	-	2190	-	-	-	29,1	79

TORQUE (N·m)	KW	RPM					AMPS	%
		180 V	280 V	320 V	400 V	440 V		
28,1	4,15	1410	-	-	-	-	29,5	78

## Specifications:

<b>PROTECTION CLASS:</b> IP23 – Protection against objects larger than 12 mm and from vertical to 60°C	<b>ALTITUDE:</b> 1000 m
<b>COOLING:</b> IC06 – Ventilation in free circulation with separate fan unit installed on motor	<b>DUTY CYCLE:</b> S1 - Continuous
<b>INSULATION CLASS:</b> H - 180°C	<b>THERMAL PROTECTION:</b> 130°C - Thermo Switch (NC)
<b>AMBIENT TEMPERATURE:</b> 40°C	<b>WEIGHT:</b> 107 KG
<b>MOUNTING:</b> B3 - Foot	

## Drawing:



## Options:

- Alternative Cooling options;
- Available in Shunt and Compound;
- Custom Manufactured to Specification;
- Flange Mounting;
- Increased IP Rating (IP44 / IP54);
- Tachogenerators.