

t: +(27) 011 468 1881 c: +(27) 074 465 1744  
 e: 01@BirCraft.co.za w: www.BirCraft.co.za

## DC Explosion Proof Motors

BADCEXPDC-1

### Applications:

- ✓ Conveyors, Feeders and Metering Pumps (Precise speed regulation).

### Features:

- ✓ NEMA C-Face with welded on base.
- ✓ 20:1 Constant torque speed range.
- ✓ UL and CSA.
- ✓ Division 1, Class I, Group D, Class II, Group F & G, T3C.
- ✓ Thermostat and Explosion Proof conduit box included.
- ✓ Adjustable speed and constant torque for hazardous locations.
- ✓ Not tach adaptable.

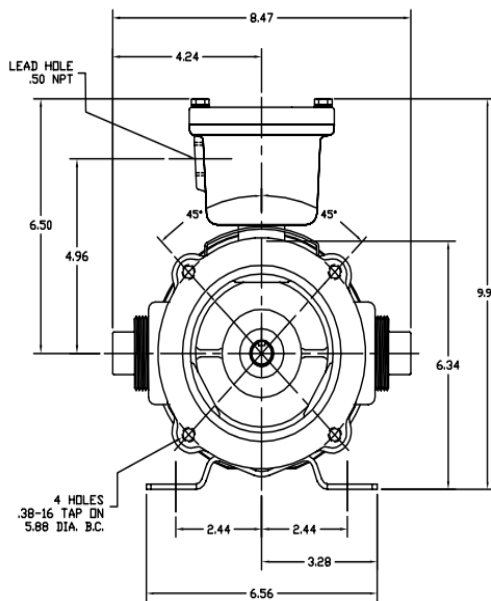
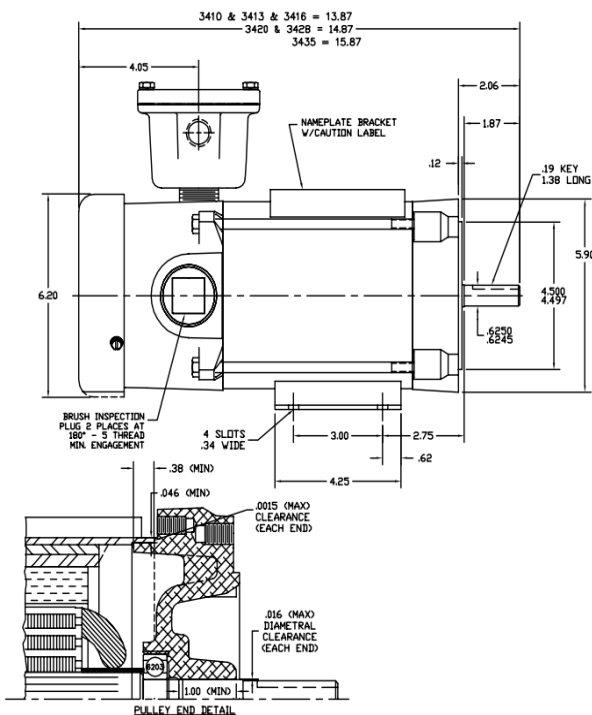
### Caution:

Explosion-proof motors have a tight fit between mating parts to ensure the integrity of the explosion-proof enclosure. This can lead to an accumulation of moisture inside the motors due to condensation. Care should be used when selecting an explosion-proof motor, especially when installed outdoors and on intermittent duty.

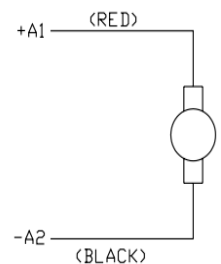


TYPE:	INFORMATION:	TYPE:	INFORMATION:
AMBIENT TEMPERATURE:	40°C	DUTY:	S1
ARMATURE CURRENT:	2.7 A	MOTOR FRAME SIZE:	56C
ARMATURE VOLTAGE:	90 V	MOTOR BASE TYPE:	Rigid
SPEED:	1750	IP CLASS:	IP54
ENCLOSURE TYPE:	XPFC	WEIGHT:	16.79 KG

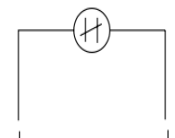
### Dimensions:



### MOTOR



### THEROMSTAT (WHEN REQUIRED)



### TACHOMETER

