

t: +(27) 011 468 1881 c: +(27) 074 465 1744
 e: 01@BirCraft.co.za w: www.BirCraft.co.za

Linear Actuators

ECV9092 Model



For any special duty requests, please contact our Sales Department for more assistance.

Features and Options:

- ✓ AC Motor, flange B5 - CE
- ✓ Worm gearbox
- ✓ Acme lead screw or ballscrew (VRS)
- ✓ Chrome plated steel push rod
- ✓ Grease Lubricated
- ✓ IP 65, tested according to rule CEI EN 60529
- ✓ NB: Only for brake motors Standard IP54, IP65 on request
- ✓ Working temperature range -10 C°+60 C°
- ✓ Intermittent duty S3 30% (5 min) a 30°C
- ✓ Integrated Limit switches on request
- ✓ Potentiometer and encoder on request

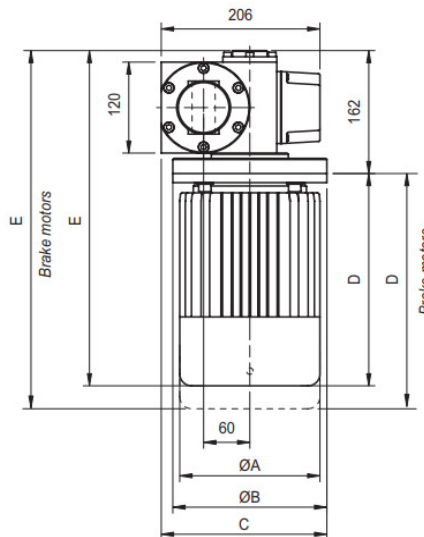
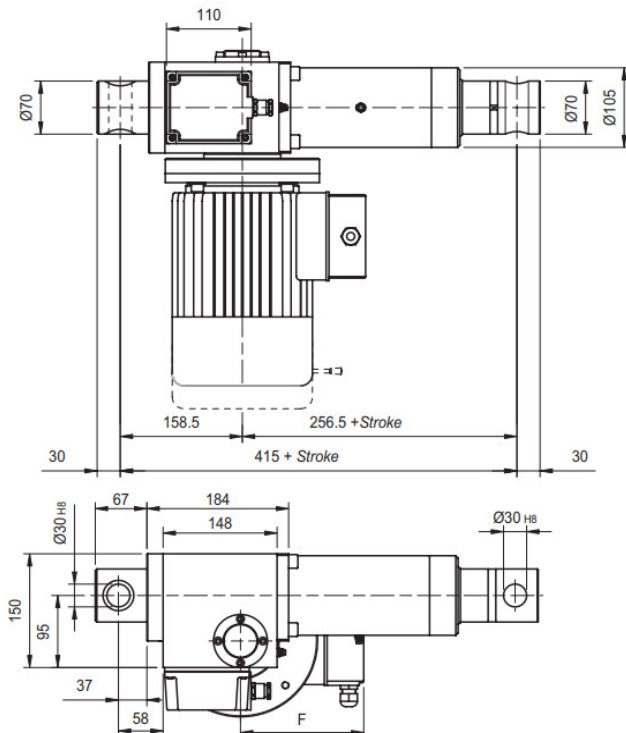
ECV9092 (VAC 3-PHASE)

FMAX (N)	SPEED (MM/S)	VERSION	MOTOR SIZE	MOTOR POWER (KW)	MOTOR SPEED (RPM)
15000 ¹	45	M01	IEC100	3	1400
25000	24	M02	IEC100	3	1400
40000	10	M03	IEC100	2.20	1400
40000	5	M04	IEC90	1.10	1400

¹When speed is more than 40 mm/s and/or strokes longer than 350mm, check STROKE SETUP section; BRAKEMOTOR IS RECOMMENDED

With single-phase motors type M performances are 20% lower than the three-phase motor.

ECV9092 Version with limit switches



AC MOTOR DIMENSIONS

SIZE:	TYPE:	ØA:	ØB:	C:	D:	E:	F:
90	Standard	182	200	215	280	442	160
	Brake Motors					344	506
100	Standard	201	250	240	309	471	173
	Brake Motors					374	536

THIS DOCUMENT DISPLAYS THE MOST TYPICAL STANDARD FEATURES AND SETUPS. PLEASE CONTACT OUR SALES TEAM FOR MORE INFORMATION

Linear Actuators

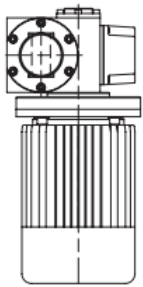
ECV9092 Model

BirCraft

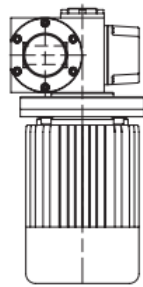
GEARED MOTORS - LINEAR ACTUATORS - CONTROLS

- Over 40 Years of Supplying Africa -

REAR ENDS

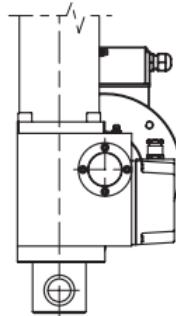


P1 Standard



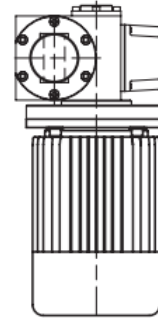
P2 Rotated 90°

E-BOX POSITION

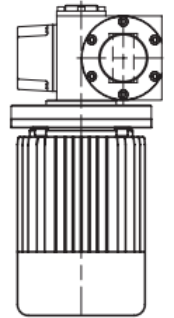


1 Standard

MOTOR AND LIMIT SWITCHES POSITION



M0 (Standard)



M1 (Sx)

Stroke Setup:

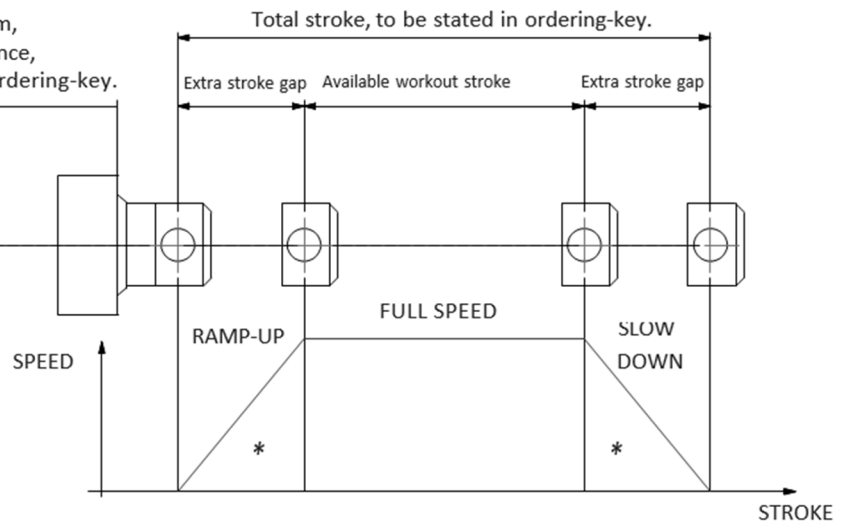
Useful tips for handling stroke and avoid run-on-block collision

When stroke is more than 350 mm, add 50 mm extra-stroke as guidance, and put corresponding value in ordering-key.

WARNING:

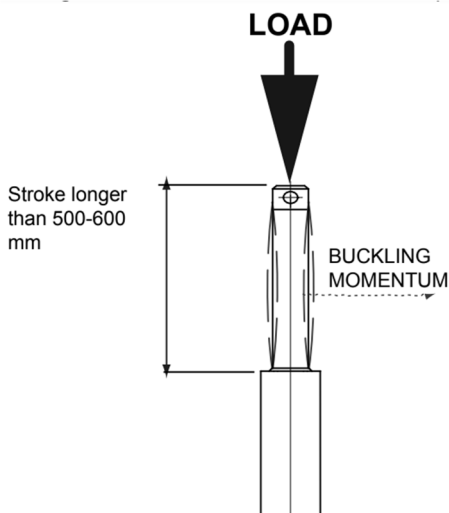
SPEED-TIMING ALONG STROKELENGTH:
Ramps are extremely important when speed is > 40mm/s. Inverter or PWM drive recommended.

* The more speed raises the more extra stroke must raise too



Buckling:

When stroke is longer than 500 mm, BUCKLING can be a risk. Please check mounting with our Sales Department.



IMPORTANT:

Long strokes, even if load is low, can generate significant buckling momentums, as sketch shows.

This happens when actuator is in its all-opened position: that's the reason why we recommend 100 mm extra-stroke.

Pushtube will have this 100 mm-portion always inside the overtube, improving guidance against buckling.

For more information on this, please contact our Sales Department.

Linear Actuators

ECV9092 Model

BirCraft

GEARED MOTORS - LINEAR ACTUATORS - CONTROLS

- Over 40 Years of Supplying Africa -

Ordering Key

ECV9092 / 0250 / M01 / CA-400/50-T-90-4-1,5 / 90B5+AB / 1/ M1 / E05 / 2FC2 / POT01A / P1 / A1

MODEL: _____

ECV9092

STROKE: _____

es. 250 mm = 0250

VERSION: _____

M01 / M02 / M03 / M04

M00 = Not standard speed

Flanged Version:

Advise reduction ratio and screw pitch

MOTOR: _____

Advise only if with motor: version, voltage, type, size, n°pole, power

With motor flange only put 0 / With special motor flange put: PD

AC MOTOR OPTIONS: _____

Motor flange: for motor flange version only advise size - i.e.for IEC71 B14 put 71B14

No motor: leave all following parameters blank

Protection Degree: IP65, for self-brake motor IP54 standard

Brake type: for brake motors only: ES. FECA - Options: Advise if needed (ES. AB 2'shaft)

E-BOX POSITION: _____

1 No Motor: Leave blank

MOTOR POSITION: _____

M0 = standard M1 = SX

ENCODER: _____

None: Leave blank

LIMIT SWITCHES: _____

None: Leave blank

POTENTIOMETER: _____

POT01A (1Kohm) POT10A (10Kohm)

None: Leave blank

REAR END: _____

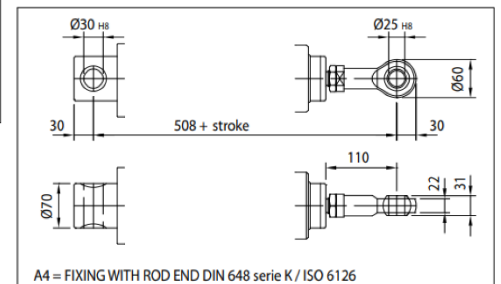
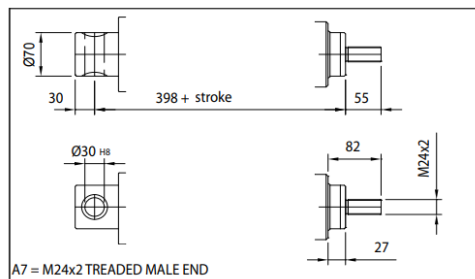
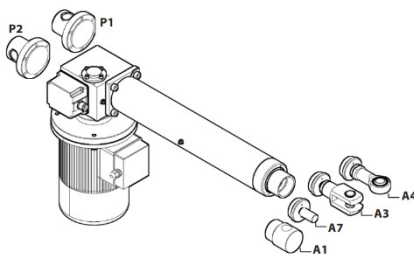
P1 = Eyelet P2 = Eyelet (90°)

FRONT END: _____

A1 = Eyelet A3 = Yoke + Clip

A4 = Rod end A7 = M12 male

NOTE: COMPLETE THE ORDERING KEY ADDING THE OPTIONS YOU CAN FIND IN THE "ACCESSORIES AND OPTIONS" SECTION ON THE BIRCREFT WEBSITE.



NOTES:

"B" dimension variations depending on model

ECV9092 = See pictures

Bellows = + 25 mm

with safety nut "G" = +50 mm

