

t: +(27) 011 468 1881 c: +(27) 074 465 1744
 e: 01@BirCraft.co.za w: www.BirCraft.co.za

Tachogenerators

BATAC444NV



Applications:

- Industry Applications
- Speed Control and Regulation

Features:

- New mechanical design with terminal box
- Magnetic circuit
- Available with temperature compensation

Characteristics:

DESCRIPTION:	VALUE:
MAX. SPEED	: 12000 RPM
MOMENT OF INERTIA	: 0.95 KG cm ²
NO-LOAD DRIVING TORQUE	: 1.5 N·cm
MAX. RADIAL SHAFT STRESS:	: 0.4 (∅ 7) 1.0 (∅ 11)
MAX. E.M.F	: 300 V
MAX. LINEARITY ERROR	: ≤ 0.15 % E _r
OVERALL RIPPLE RATE	: ≤ 0.5 % E _c
CALIBRATION PRECISION	: ± 1
E.M.F TEMPERATURE DRIFT	
• NOT COMPENSATED	: 0.02 % /°C
• COMPENSATED	: 0.005 % /°C
TIME CONSTANT	: 2.5 ms
*FILTER:	
TIME CONSTANT OF FILTER	: 0.47
• LOAD CURRENT	: 5 mA
• SPEED	: 3000 RPM

DESCRIPTION:	VALUE:
NUMBER OF POLES	: 4
ARMATURE SLOTS NUMBER	: 33
COMMUTATOR BLADES NUMBER	: 33
INSULATION CLASS	: B (IEC 34-1)
OPERATING TEMPERATURE	: -20° + 80 °C
CLIMATIC PROTECTION	: C _a (IEC 68-1)
INGRESS PROTECTION	: IP44 (IEC 34-5)
DIRECTION OF ROTATION	: Reversible
EXCITATION <i>Permanent Magnets</i>	: Samarium Cobalt
WEIGHT	: 1.8 KG

Mechanical Options:

MOUNTING SIDE					
	D (mm)	L (mm)	F (mm)	GA (mm)	BEARING
STANDARD SHAFT	11	30	4	12.5	12 x 28 x 8 ZZ

OPPOSITE MOUNTING SIDE
BEARING
8 x 22 x 7 ZZ



Markings and polarity of terminals (cables) for counterclockwise rotation, seen from the shaft.

1 COMMUTATOR	2 COMMUTATORS
1 A1: + 1 A2: -	2 A1: + 2 A2: -

Tachogenerators

BATAC444NV

BirCraft

GEARED MOTORS - LINEAR ACTUATORS - CONTROLS

- Over 40 Years of Supplying Africa -

Electrical Options:

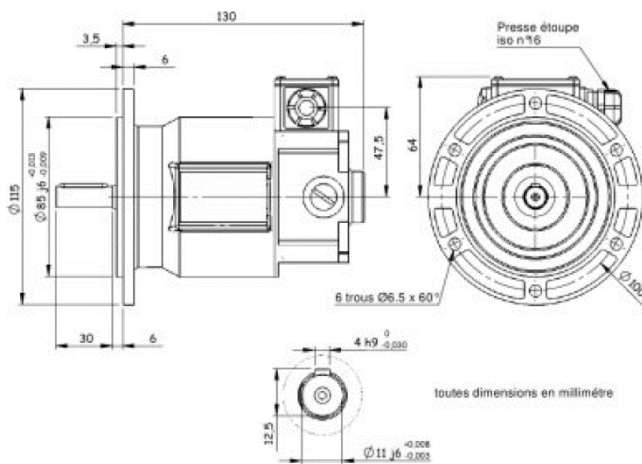
DESCRIPTION:	UNIT:	VALUES:				
E.M.F at 1 000 RPM	V	20	40	50	60	100
Voltage Gradient	V/ RPM	0,02	0,04	0,05	0,06	0,10
Armature Resistance	Ω	12	45	70	100	280
Max Thermal Load	A	0,55	0,25	0,22	0,18	0,11
Max. Allowed Speed	RPM	12 000	7500	6000	5000	3000

Brushes:

QUANTITY:	DIMESNSION:	GRADE:
4	3,1 x 4,1 x 12.5mm	Silver - graphite

Dimensions:

Flange (B5):



US Flange:

