

t: +(27) 011 468 1881 c: +(27) 074 465 1744  
 e: 01@BirCraft.co.za w: [www.BirCraft.co.za](http://www.BirCraft.co.za)

## Tachogenerators

### BATARDC30



### Applications:

- Industrial Applications

### Features:

- Hollow shaft tachometer generator (BF)
- Option with bearing, direct mounting on shaft (MF)
- Large bore
- Permanent magnet excitation
- Mounted on smooth shaft

### Characteristics:

DESCRIPTION:	VALUE:
MAX. SPEED	: 7500 RPM
MOMENT OF INERTIA	: 3.5 KG cm <sup>2</sup>
NO-LOAD DRIVING TORQUE	: 0.7 N·cm
MAX. E.M.F	: 300 V
MAX. LINEARITY ERROR	: ≤ 0.15 % E <sub>r</sub>
OVERALL RIPPLE RATE	: ≤ 0.6 % E <sub>c</sub>
ROTATION HARMONICS	: ≤ 0.05 % E <sub>c</sub>
SLOTS HARMONICS	: ≤ 0.55 % E <sub>c</sub>
CALIBRATION PRECISION	: ± 2 % E <sub>To</sub>
E.M.F TEMPERATURE DRIFT	
• NOT COMPENSATED	: 0.005 % /°C
• COMPENSATED	: -
TIME CONSTANT	: 0.7 ms
*FILTER:	
• TIME CONSTANT OF FILTER	: 0.1 ms
• LOAD CURRENT	: 1.5 mA
SPEED	: 3000 RPM

DESCRIPTION:	VALUE:
NUMBER OF POLES	: 4
ARMATURE SLOTS NUMBER	: 33
COMMUTATOR BLADES NUMBER	: 33
INSULATION CLASS	: B (IEC 34-1)
OPERATING TEMPERATURE	: -20° + 110 °C
CLIMATIC PROTECTION	: C <sub>a</sub> (IEC 68-1)
INGRESS PROTECTION	: IP44 (IEC 34-5)
DIRECTION OF ROTATION	: Reversible
EXCITATION <i>Permanent Magnets</i>	: Alnico
WEIGHT	: 1.8 KG

### Mechanical Options:

	ARMATURE BORE - Ø d (MM)			MOTOR CENTERING END FRAME - Ø D (MM)	Armature clamping device
	STANDARD	MAX.	MIN.	STANDARD	
MF		30			Collet
BF	30	30	17	88	



Markings and polarity of terminals (cables) for counterclockwise rotation, seen from the shaft.

### 1 COMMUTATOR

A1: +  
A2: -

# Tachogenerators

BATARDC30

# BirCraft

GEARED MOTORS - LINEAR ACTUATORS - CONTROLS

- Over 40 Years of Supplying Africa -

## Electrical Options:

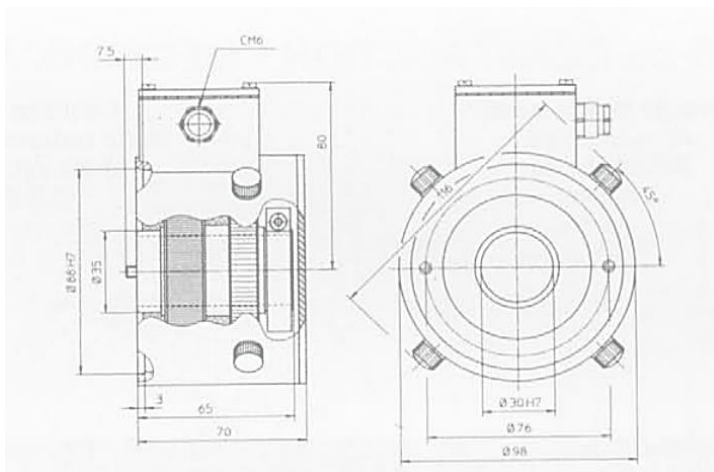
DESCRIPTION:	UNIT:	VALUES:					
E.M.F at 1 000 rpm	V	10	20	30	40	50	60
Voltage Gradient	V/RPM	0.01	0.02	0.03	0.04	0.05	0.06
Armature Resistance	$\Omega$	8	33	73	130	200	290
Max Thermal Load	A	400	200	150	100	80	60
Max. Allowed Speed	RPM	7500	7500	7500	7500	6000	5000

## Brushes:

QUANTITY:	DIMESNSION:	GRADE:
4	5 x 4 x 12	Electrographite
		Silver-graphite

## Dimensions:

BATARDC30BF



BATARDC30MF

