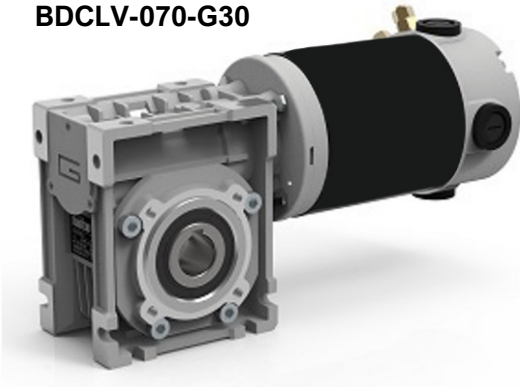


## DC Fractional Geared Motors

### BDCLV-070-G30



#### Features:

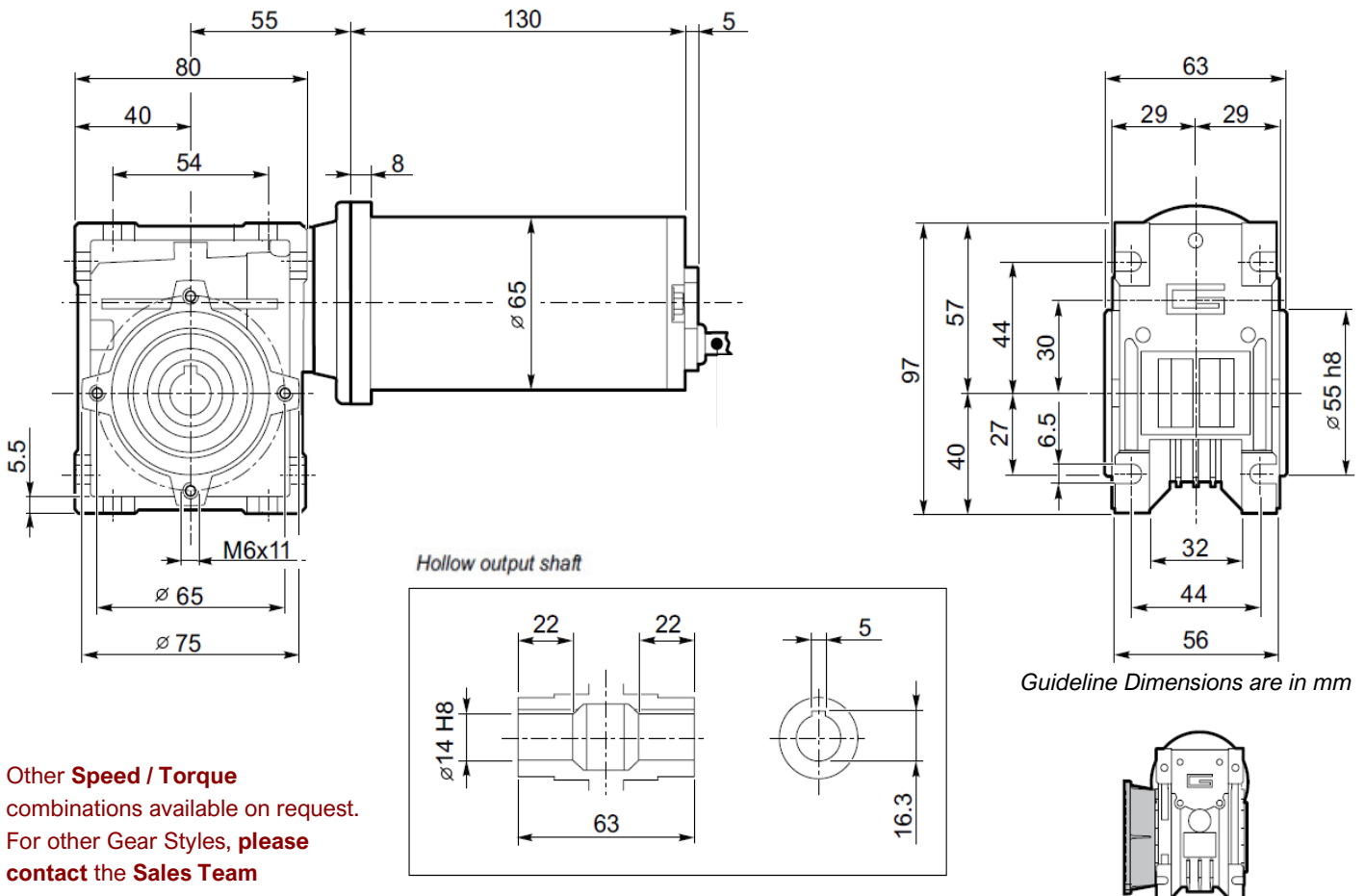
- 12 / 24 Vdc – Low Voltage Power & **Battery** Supply
  - {Others available on special request}
- Motor Power ratings available **from** 0.07 kW to 0.8 kW
- Permanent Magnets Motors at 3000 RPM.
- Motor mounted to Base / Flange mounting Gearhead.
- Hollow Shaft Gear
- Suitable for Encoder Assembly

#### Combination Options:

DUTY	WATTS	Torque @ 400 RPM	Torque @ 300 RPM	Torque @ 200 RPM	Torque @ 150 RPM	Torque @ 100 RPM	Torque @ 75 RPM	Torque @ 60 RPM	Torque @ 50 RPM	Torque @ 38 RPM
S2	100	2.1 Nm	2.7 Nm	4 Nm	5.2 Nm	7.1 Nm	8.9 Nm	10 Nm	12 Nm	15 Nm

Nm = Newton Meters Torque / RPM = Revolutions per Minute / S1 = Continuous running duty / S2 = Short-time duty

#### Dimensions:



- Other **Speed / Torque** combinations available on request.
- For other Gear Styles, **please contact the Sales Team**