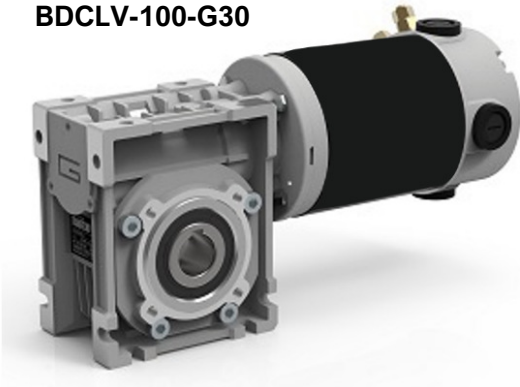


t: + (27) 011 468 1881    c: + (27) 074 465 1744  
 e: 01@[BirCraft.co.za](mailto:01@BirCraft.co.za)    w: [www.BirCraft.co.za](http://www.BirCraft.co.za)

## DC Fractional Geared Motors

### BDCLV-100-G30



#### Features:

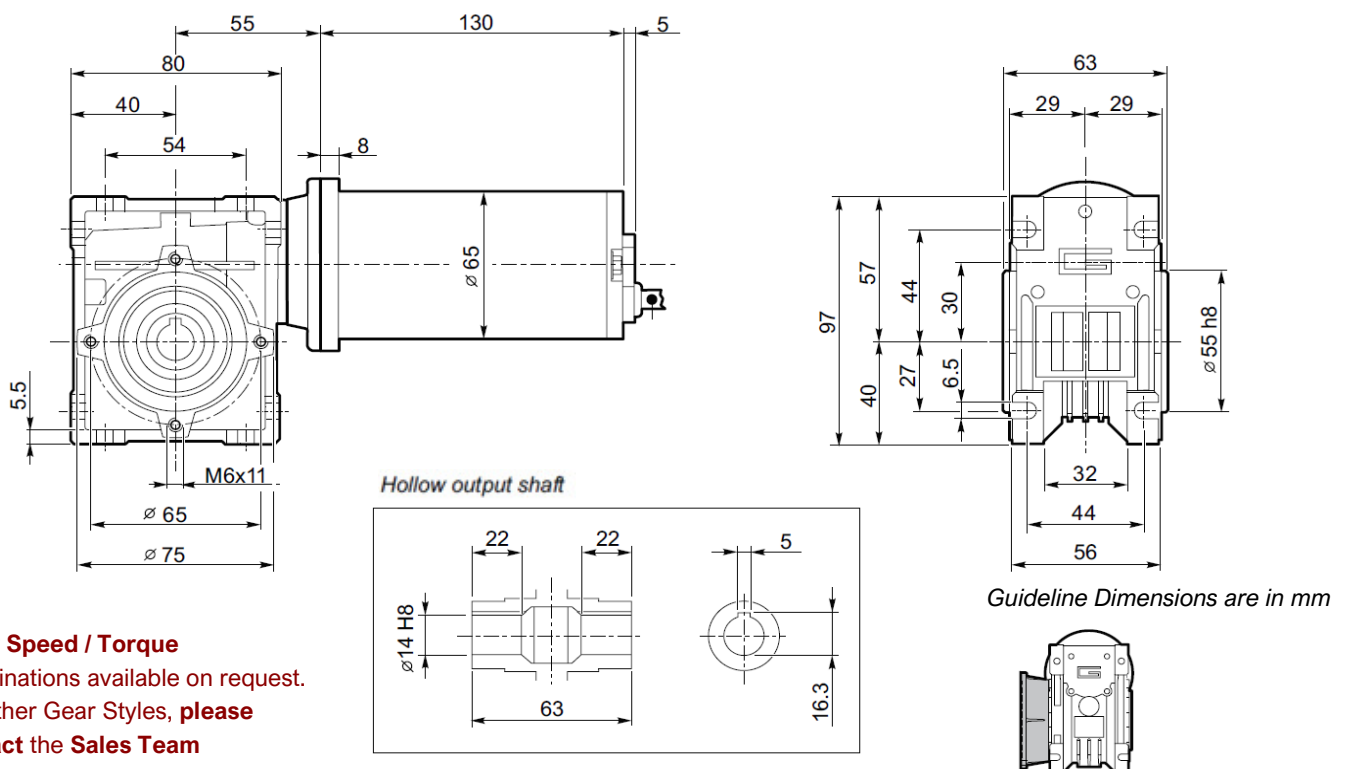
- 12 / 24 Vdc – Low Voltage Power & **Battery** Supply
  - {Others available on special request}
- Motor Power ratings available **from** 0.07 kW to 0.8 kW
- Permanent Magnets Motors at 3000 RPM.
- Motor mounted to Base / Flange mounting Gearhead.
- Hollow Shaft Gear
- Suitable for Encoder Assembly

#### Combination Options:

DUTY	WATTS	Torque @ 400 RPM	Torque @ 300 RPM	Torque @ 200 RPM	Torque @ 150 RPM	Torque @ 100 RPM	Torque @ 75 RPM	Torque @ 60 RPM	Torque @ 50 RPM	Torque @ 38 RPM
S1	<b>100</b>	2.1 Nm	2.7 Nm	3.8 Nm	5 Nm	6.7 Nm	8.3 Nm	9.9 Nm	10.7 Nm	11.9 Nm
S2	<b>140</b>	2.9 Nm	3.8 Nm	5.6 Nm	7.2 Nm	10 Nm	12 Nm	14 Nm	-	-

Nm = Newton Meters Torque / RPM = Revolutions per Minute / **S1** = Continuous running duty / **S2** = Short-time duty

#### Dimensions:



- Other **Speed / Torque** combinations available on request.
- For other Gear Styles, **please contact the Sales Team**