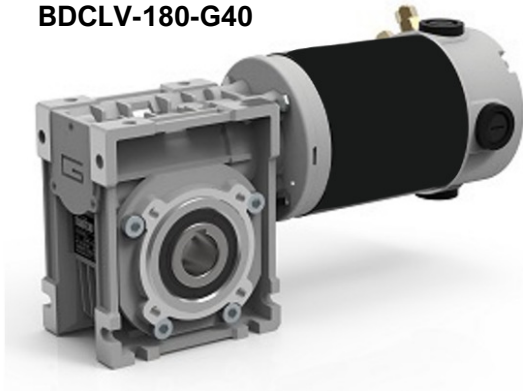


DC Fractional Geared Motors

BDCLV-180-G40



Features:

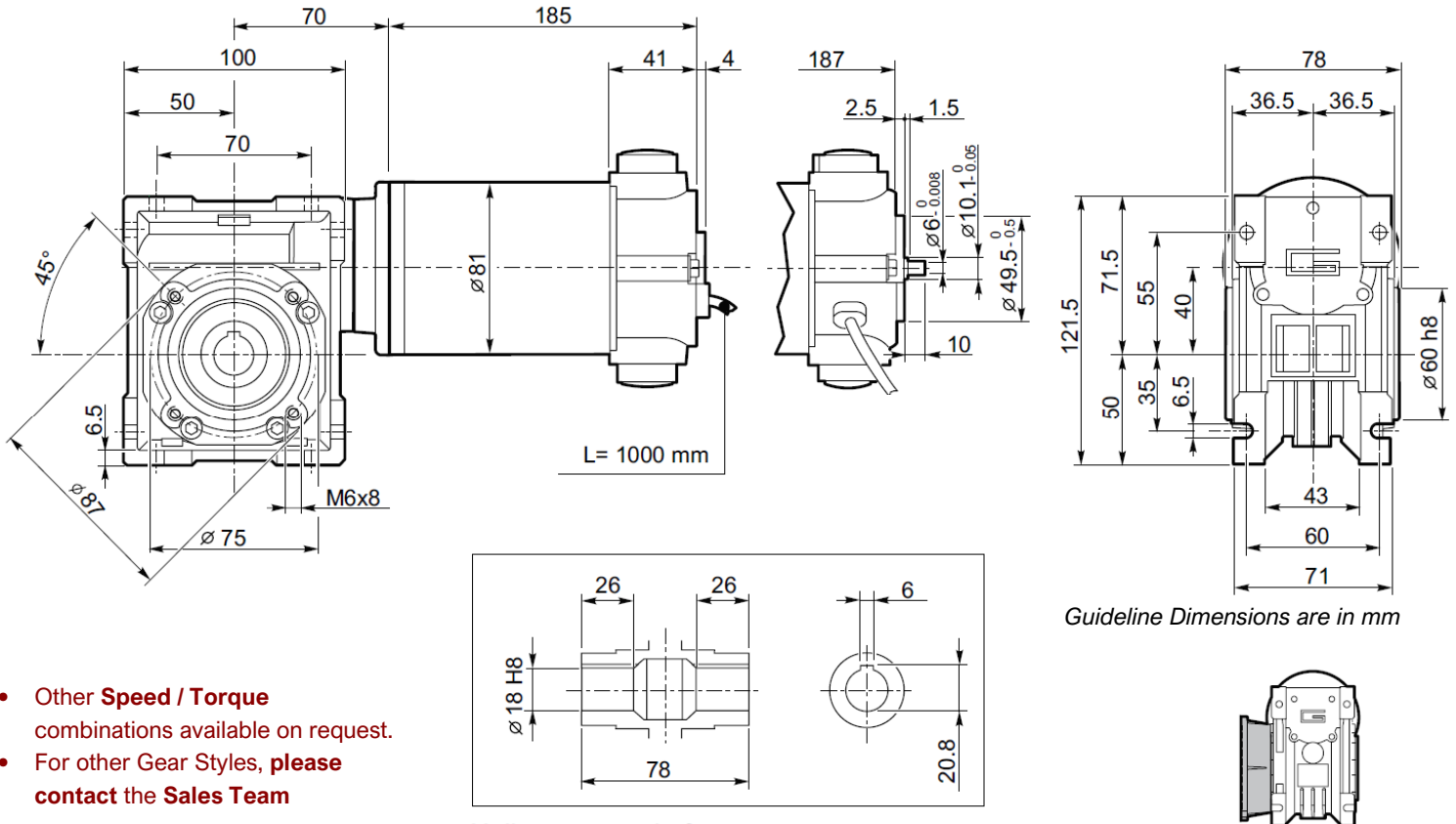
- 12 / 24 Vdc – Low Voltage Power & **Battery** Supply
 - {Others available on special request}
- Motor Power ratings available **from** 0.07 kW to 0.8 kW
- Permanent Magnets Motors at 3000 RPM.
- Motor mounted to Base / Flange mounting Gearhead.
- Hollow Shaft Gear
- Suitable for Encoder Assembly

Combination Options:

DUTY	WATTS	Torque @ 75 RPM	Torque @ 60 RPM	Torque @ 50 RPM	Torque @ 38 RPM	Torque @ 30 RPM
S1	180	-	19.5 Nm	21.7 Nm	26.2 Nm	30.3 Nm
S2	250	23 Nm	27 Nm			

Nm = Newton Meters Torque / RPM = Revolutions per Minute / S1 = Continuous running duty / S2 = Short-time duty

Dimensions:



Hollow output shaft

Guideline Dimensions are in mm

- Other **Speed / Torque** combinations available on request.
- For other Gear Styles, **please** contact the **Sales Team**