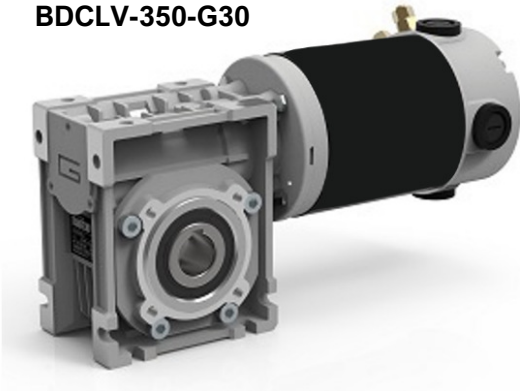


DC Fractional Geared Motors

BDCLV-350-G30



Features:

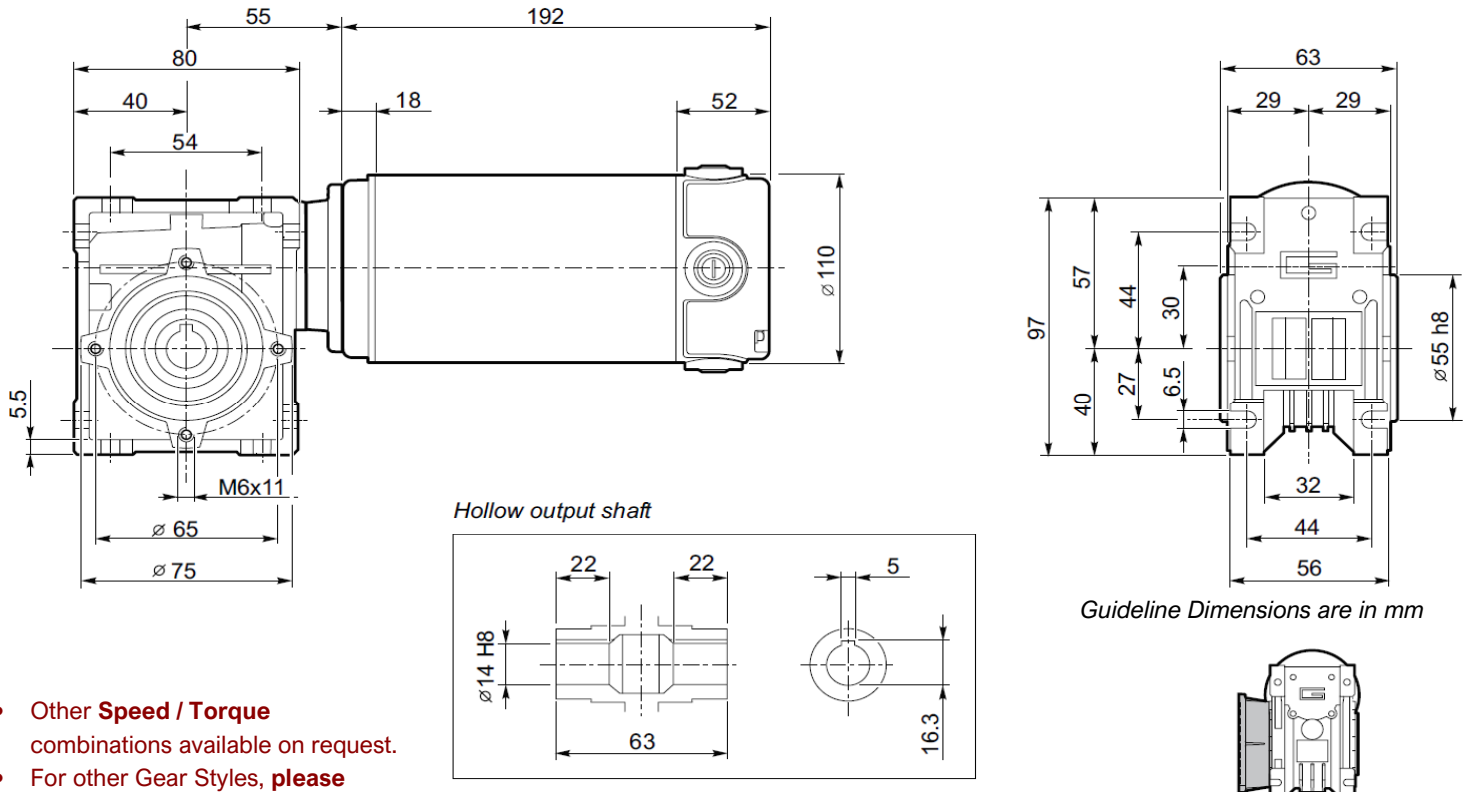
- 12 / 24 Vdc – Low Voltage Power & **Battery** Supply
 - {Others available on special request}
- Motor Power ratings available **from** 0.07 kW to 0.8 kW
- Permanent Magnets Motors at 3000 RPM.
- Motor mounted to Base / Flange mounting Gearhead.
- Hollow Shaft Gear
- Suitable for Encoder Assembly

Combination Options:

| DUTY | WATTS | Torque @ 400 RPM | Torque @ 300 RPM | Torque @ 200 RPM | Torque @ 150 RPM |
|------|-------|------------------|------------------|------------------|------------------|
| S1 | 350 | 7.2 Nm | 9.5 Nm | 13.4 Nm | 17.4 Nm |
| S2 | 500 | 11 Nm | 14 Nm | - | - |

Nm = Newton Meters Torque / RPM = Revolutions per Minute / S1 = Continuous running duty / S2 = Short-time duty

Dimensions:



- Other **Speed / Torque** combinations available on request.
- For other Gear Styles, **please contact the Sales Team**