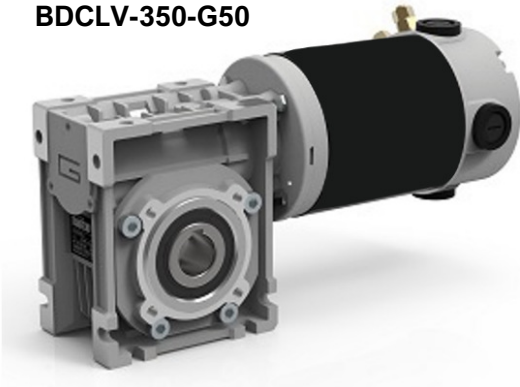


t: + (27) 011 468 1881 c: + (27) 074 465 1744
 e: 01@[BirCraft.co.za](mailto:01@BirCraft.co.za) w: www.BirCraft.co.za

DC Fractional Geared Motors

BDCLV-350-G50



Features:

- 12 / 24 Vdc – Low Voltage Power & **Battery** Supply
 - {Others available on special request}
- Motor Power ratings available **from** 0.07 kW to 0.8 kW
- Permanent Magnets Motors at 3000 RPM.
- Motor mounted to Base / Flange mounting Gearhead.
- Hollow Shaft Gear
- Suitable for Encoder Assembly

Combination Options:

DUTY	WATTS	Torque @ 100 RPM	Torque @ 75 RPM	Torque @ 60 RPM	Torque @ 50 RPM	Torque @ 30 RPM	Torque @ 38 RPM
S1	350	-	-	37.9 Nm	43.5 Nm	51.9 Nm	59 Nm
S2	500	37 Nm	47 Nm	57 Nm	-	-	-

Nm = Newton Meters Torque / RPM = Revolutions per Minute / S1 = Continuous running duty / S2 = Short-time duty

Dimensions:

