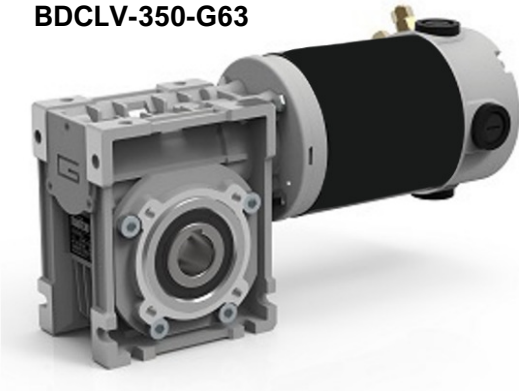


## DC Fractional Geared Motors

### BDCLV-350-G63



#### Features:

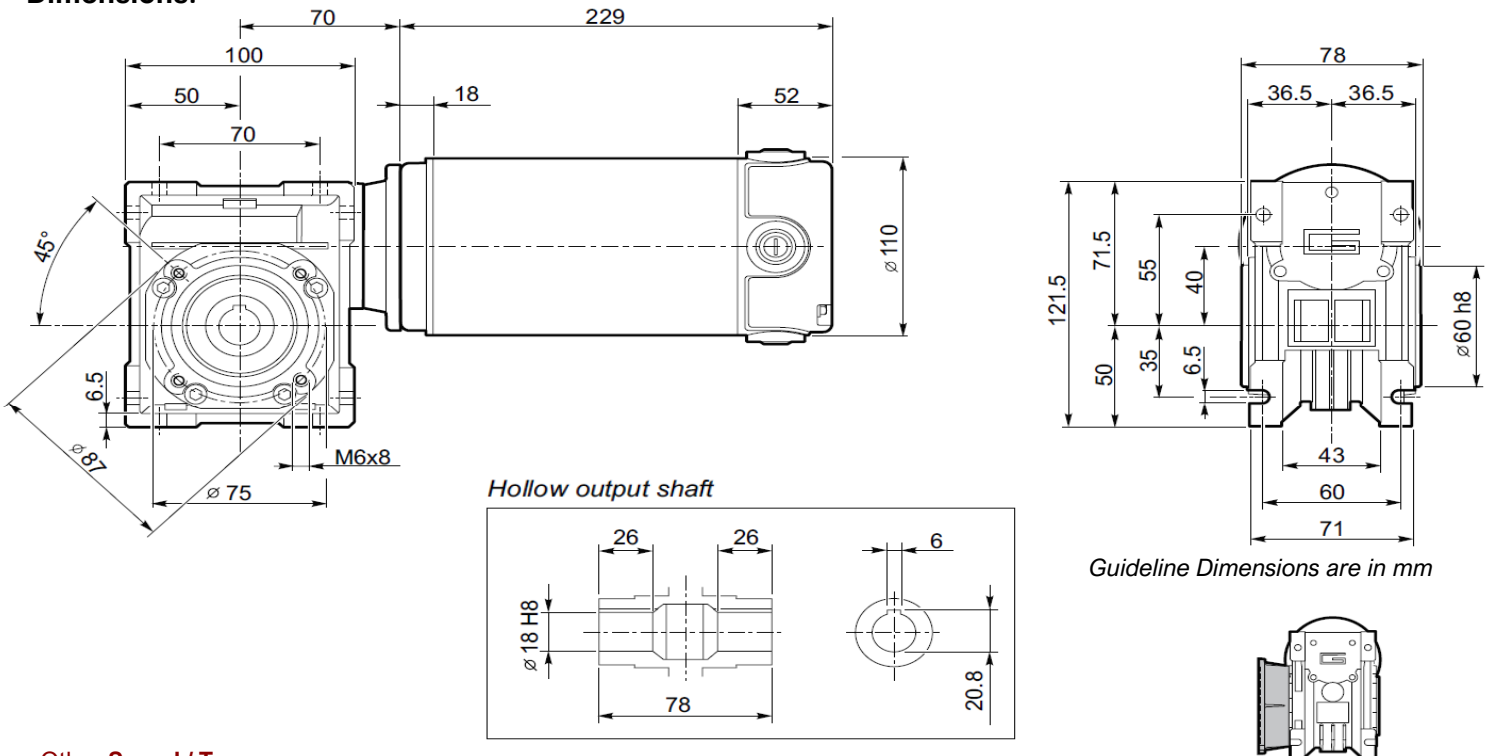
- 12 / 24 Vdc – Low Voltage Power & **Battery** Supply
  - {Others available on special request}
- Motor Power ratings available **from** 0.07 kW to 0.8 kW
- Permanent Magnets Motors at 3000 RPM.
- Motor mounted to Base / Flange mounting Gearhead.
- Hollow Shaft Gear
- Suitable for Encoder Assembly

#### Combination Options:

DUTY	WATTS	Torque @ 50 RPM	Torque @ 38 RPM	Torque @ 30 RPM
S1	<b>350</b>	-	-	-
S2	<b>500</b>	63 Nm	76.7 Nm	89 Nm

Nm = Newton Meters Torque / RPM = Revolutions per Minute / S1 = Continuous running duty / S2 = Short-time duty

#### Dimensions:



- Other **Speed / Torque** combinations available on request.
- For other Gear Styles, **please contact the Sales Team**