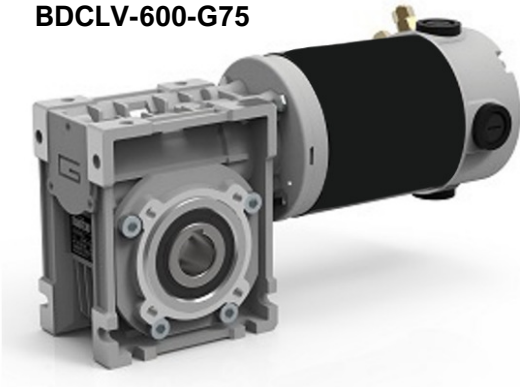


t: + (27) 011 468 1881 c: + (27) 074 465 1744
 e: 01@[BirCraft.co.za](mailto:01@BirCraft.co.za) w: www.BirCraft.co.za

DC Fractional Geared Motors

BDCLV-600-G75



Features:

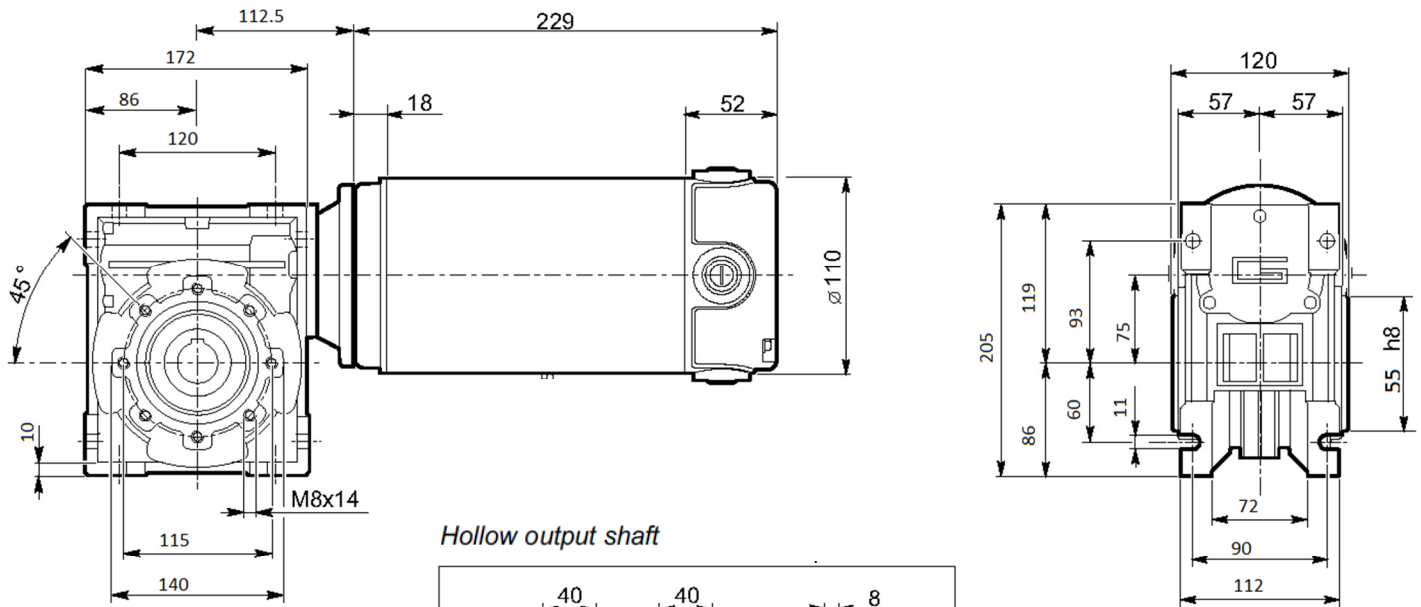
- 12 / 24 Vdc – Low Voltage Power & **Battery** Supply
 - {Others available on special request}
- Motor Power ratings available **from** 0.07 kW to 0.8 kW
- Permanent Magnets Motors at 3000 RPM.
- Motor mounted to Base / Flange mounting Gearhead.
- Hollow Shaft Gear
- Suitable for Encoder Assembly

Combination Options:

DUTY	WATTS	Torque @ 50 RPM	Torque @ 38 RPM
S1	600	-	-
S2	800	128.7 Nm	152.8 Nm

Nm = Newton Meters Torque / RPM = Revolutions per Minute / **S1** = Continuous running duty / **S2** = Short-time duty

Dimensions:



Guideline Dimensions are in mm

- Other **Speed / Torque** combinations available on request.
- For other Gear Styles, **please contact the Sales Team**