

Architectural Electric Actuators Vents, Windows & Skylight Openers

Features:

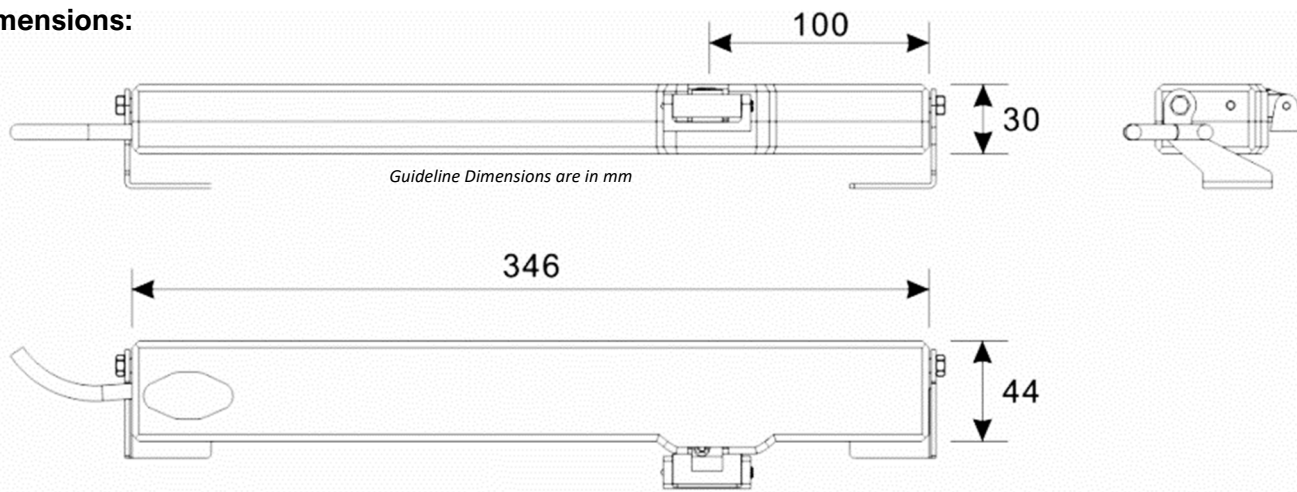
- ✓ Electronic overload cutoff, limit stop and low noise operation
- ✓ Standard with Stainless chain
- ✓ Rebound function to mitigate the Aluminum Frame become deformed and to increase the adhesive tape lifetime
- ✓ Built-in Window Open and Close Button (optional)
- ✓ **Voltage Supply:** 24Vdc \pm 10%
- ✓ Endurance tests (50,000 cycles) are carried out
- ✓ Lock Force in static motion is 4,500N

Applications:

- ✓ Factory Ventilation
- ✓ Fire Ventilation
- ✓ Multi – Window Opening Systems
- ✓ Office Building Ventilation
- ✓ Trickle Ventilation and so much more!

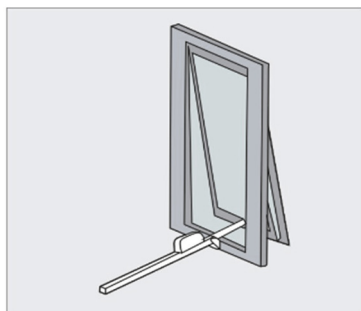


Dimensions:

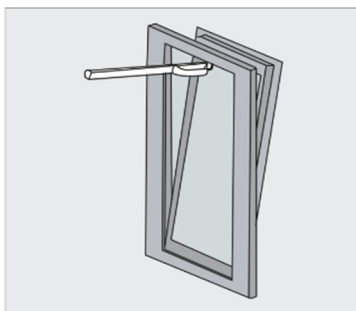


Application and Installation:

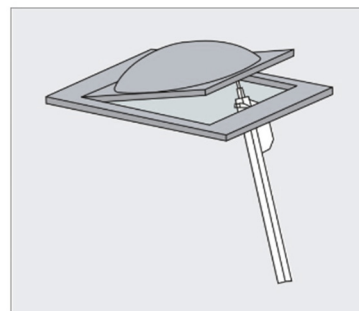
Installation of the Double Link Chain Actuator is Flexible – This can be applied to the top and bottom hung window, central and horizontal opening, skylight and alike.



Top Hung Window



Bottom Hung Window



Skylight