

Architectural Electric Actuators

Vents, Windows & Skylight Openers



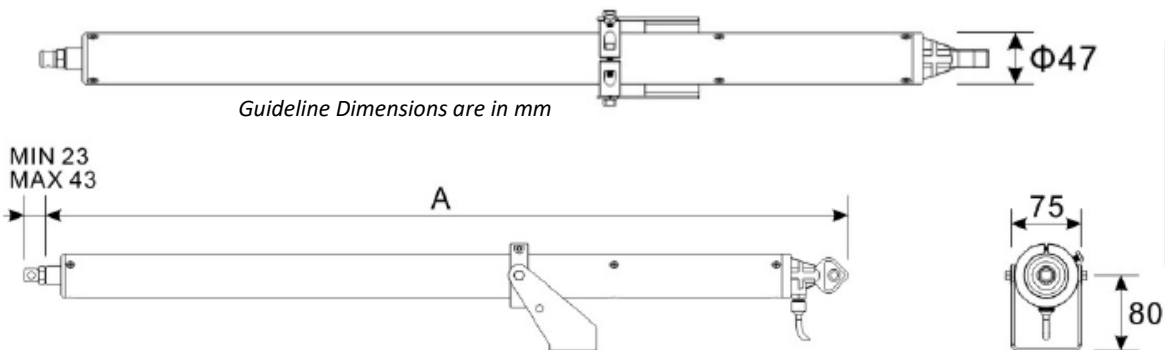
Features:

- ✓ Heavy-Duty type for very wide and heavy skylights and windows
- ✓ Corrosion-protected spindle in stainless steel
- ✓ Fixed & Movable Installation and low noise operation
- ✓ Various Push Force available
- ✓ Various Stroke Available - maximum 1,500 mm
- ✓ Optional with Stainless spindle
- ✓ Endurance Tests (30,000 cycles) are carried out
- ✓ Voltage Supply 24 Vdc ± 10% / 230 V AC ± 10%
- ✓ Lock Force in Static Motion is 5,000N
- ✓ Max Push and Pull Force: 1,500N
- ✓ Protection Class: IP65

Applications:

- ✓ Factory Ventilation
- ✓ Fire Ventilation
- ✓ Multi – Window Opening Systems
- ✓ Office Building Ventilation
- ✓ Trickle Ventilation and so much more!

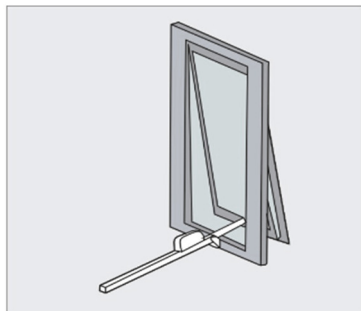
Dimensions:



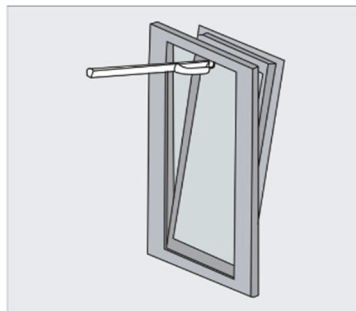
STROKE (mm)	LENGTH (A)
150	504
200	554
350	704
550	904
750	1104
1000	1354

Application and Installation:

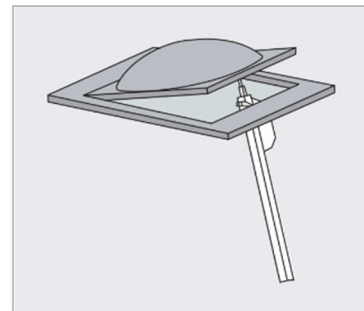
Installation of the Spindle Actuator is Flexible – This can be applied to the top and bottom hung window, central and horizontal opening, skylight and alike.



Top Hung Window



Bottom Hung Window



Skylight