

t: + (27) 011 468 1881 c: + (27) 074 465 1744
 e: 01@BirCraft.co.za w: www.BirCraft.co.za

OTHER MOTOR
TYPES
AVAILABLE:

12 – 180 Vdc
Motors

Reversible
Motor

Variable Speed
AC Motor

Variable Speed
DC Motor

Brushless
DC Motors
(BLDC)

Electro-
Mechanical
Brake Motor

Right Angle
Geared
Motors

AC Compact Geared Motors - 60 mm

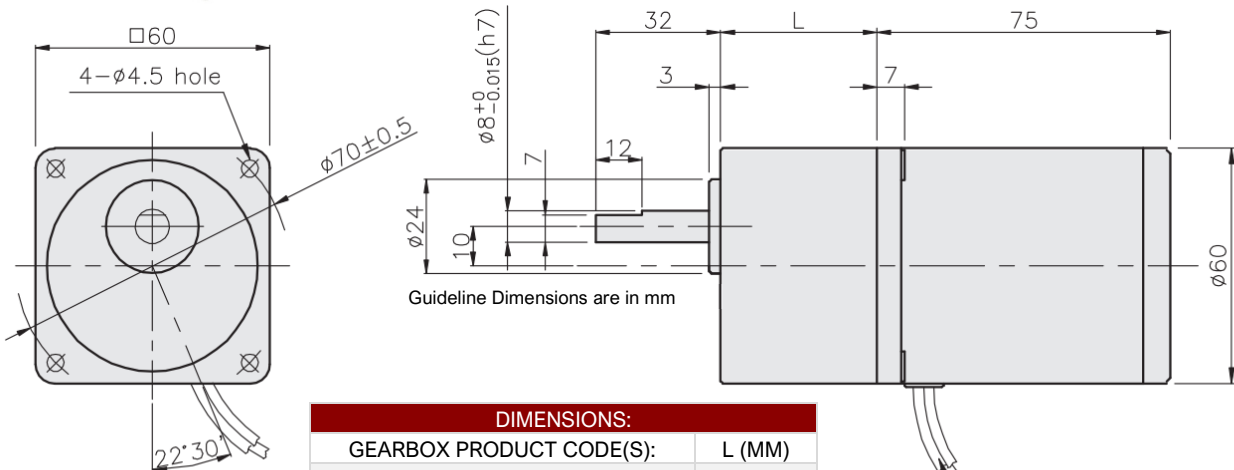


Motor (CGM6I06GX):

WATTS	RPM	VOLTS	TORQUE (Nm)
6	1300	220 1~	0.05

Nm = Newton Meters Torque / RPM = Revolutions per Minute

Dimensions:



Guideline Dimensions are in mm

DIMENSIONS:	
GEARBOX PRODUCT CODE(S):	L (MM)
CGM6DA003B to CGM6DA020B	30
CGM6DA030B to CGM6DA200B	40

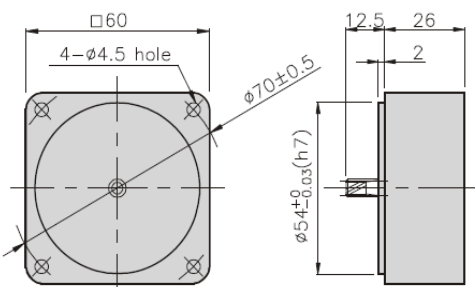
MOTOR LEAD WIRE 300mm
UL Style 3266 , AWG20

Gearbox:

MAX Permissible Torque (Nm) = 3 Nm

RATIO	3	5	10	15	20	30	40	50	75	100	150	200
RPM	433.3	260	130	86.6	65	43.3	32.5	26	17.3	13	8.6	6.5
TORQUE (Nm)	0.12	0.20	0.40	0.61	0.73	1.10	1.46	1.65	2.25	3	3	3

Ratios up to 20,000 / 1 with 10:1 Decimal Gearbox:



Options:

- ✓ 110 VAC
- ✓ Other Voltages available on request
- ✓ Reversible
- ✓ Speed Control
- ✓ Magnetic Brake
- ✓ Terminal Box
- ✓ Permanent Magnet DC
- ✓ BLDC & Controller
- ✓ Foot Bracket and
- ✓ Other Gear Options.

- Right Angle Gears available on request
- Brake Motor options available on request
- Custom Modifications can be made to achieve higher output torques at lower output speeds.
- For more information, please contact the Sales Team