

t: + (27) 011 468 1881 c: + (27) 074 465 1744
 e: 01@BirCraft.co.za w: www.BirCraft.co.za

OTHER MOTOR TYPES AVAILABLE: 12 – 180 Vdc Motors Reversible Motor Variable Speed AC Motor Variable Speed DC Motor Brushless DC Motors (BLDC) Electro-Mechanical Brake Motor Right Angle Geared Motors

AC Compact Geared Motors - 80 mm

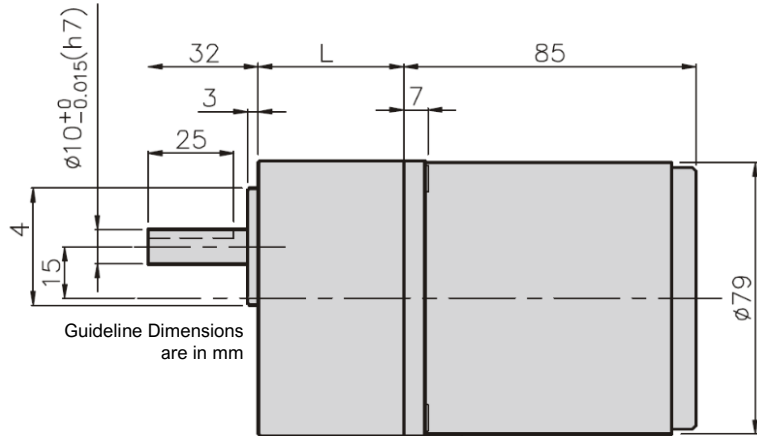
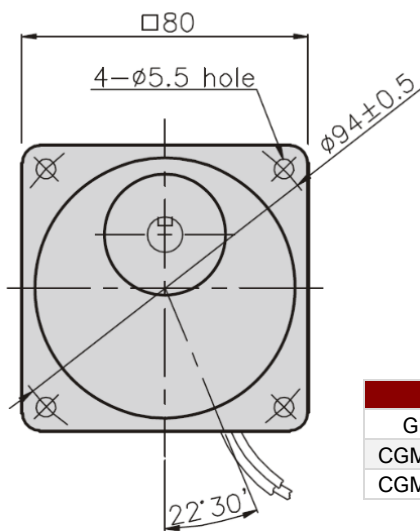


Motor (CGM8I25GX):

WATTS	RPM	VOLTS	TORQUE (Nm)
25	1300	220 VAC – Single Phase	0.22
		230 VAC – Three Phase	
		380 VAC – Three Phase	

Nm = Newton Meters Torque / RPM = Revolutions per Minute

Dimensions:



DIMENSIONS:	
GEARBOX PRODUCT CODE(S):	L (MM)
CGM8KA003B to CGM8KA020B	32
CGM8KA 030B to CGM8KA200B	42.5

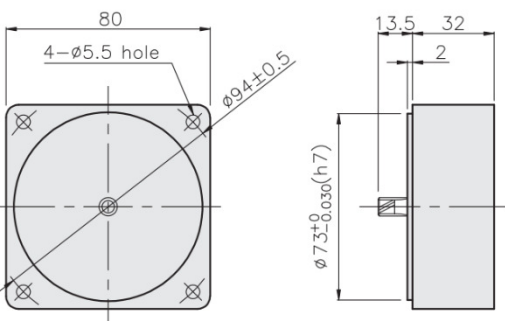
MOTOR LEAD WIRE 300mm
UL Style 3271, AWG20

Gearbox:

MAX Permissible Torque (Nm) = 8 Nm

RATIO	3	5	10	15	20	30	40	50	75	100	150	200
RPM	433.3	260	130	86.6	65	43.3	32.5	26	17.3	13	8.6	6.5
TORQUE (Nm)	0.54	0.89	1.78	2.67	3.21	4.82	6.42	7.26	8	8	8	8

Ratios up to 20,000 / 1 with 10:1 Decimal Gearbox:



Options:

- ✓ 110 VAC
- ✓ Other Voltages available on request
- ✓ Reversible
- ✓ Speed Control
- ✓ Magnetic Brake
- ✓ Terminal Box
- ✓ Permanent Magnet DC
- ✓ BLDC & Controller
- ✓ Foot Bracket and
- ✓ Other Gear Options.

- Right Angle Gears available on request
- Brake Motor options available on request
- Custom Modifications can be made to achieve higher output torques at lower output speeds.
- For more information, please contact the Sales Team

Address: 320 B Percheron Road, Kyalami, Midrand, 1684
 GPS Coordinates: S 25.98115° / E 028.06869°