

t: + (27) 011 468 1881 c: + (27) 074 465 1744
 e: 01@BirCraft.co.za w: www.BirCraft.co.za

OTHER MOTOR TYPES AVAILABLE: 12 – 180 Vdc Motors Reversible Motor Variable Speed AC Motor Variable Speed DC Motor Brushless DC Motors (BLDC) Electro-Mechanical Brake Motor Right Angle Geared Motors

AC Compact Geared Motors – 90 mm (KB)

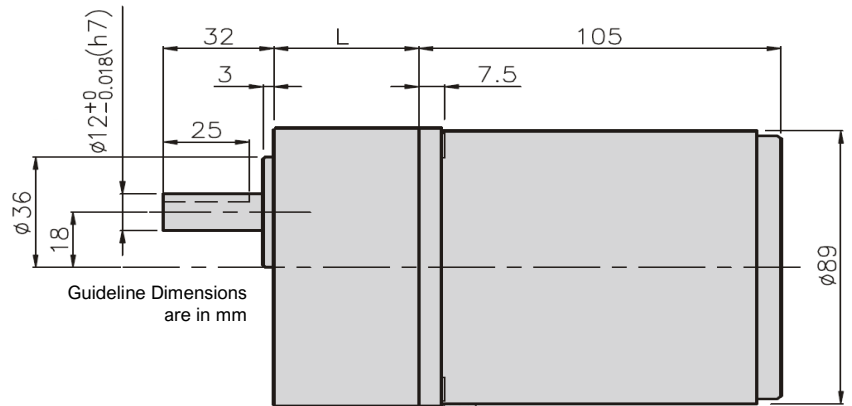
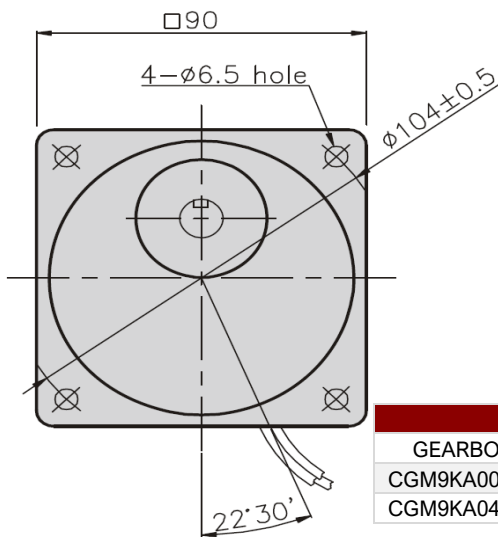


Motor (CGM9I40):

WATTS	RPM	VOLTS	TORQUE (Nm)
40	1300	220 VAC – Single Phase 230 VAC – Three Phase 380 VAC – Three Phase	0.3

Nm = Newton Meters Torque / RPM = Revolutions per Minute

Dimensions:



DIMENSIONS:	
GEARBOX PRODUCT CODE(S):	L (MM)
CGM9KA003BH to CGM9KA030BH	42
CGM9KA040BH to CGM9KA200BH	60

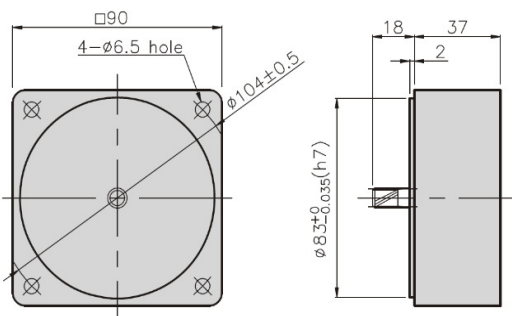
MOTOR LEAD WIRE 300mm
UL Style 3271, AWG20

Gearbox:

MAX Permissible Torque (Nm) = 10 Nm

RATIO	3	5	10	15	20	30	40	50	75	100	150	200
RPM	433.3	260	130	86.6	65	43.3	32.5	26	17.3	13	8.6	6.5
TORQUE (Nm)	0.70	1.17	2.35	3.52	4.23	6.34	8.46	10	10	10	10	10

Ratios up to 20,000 / 1 with 10:1 Decimal Gearbox:



Options:

- ✓ 110 VAC
- ✓ Other Voltages available on request
- ✓ Reversible
- ✓ Speed Control
- ✓ Magnetic Brake
- ✓ Terminal Box
- ✓ Permanent Magnet DC
- ✓ BLDC & Controller
- ✓ Foot Bracket and
- ✓ Other Gear Options.

- Right Angle Gears available on request
- Brake Motor options available on request
- Custom Modifications can be made to achieve higher output torques at lower output speeds.
- For more information, please contact the Sales Team

Address: 320 B Percheron Road, Kyalami, Midrand, 1684
 GPS Coordinates: S 25.98115° / E 028.06869°