

OTHER MOTOR TYPES AVAILABLE: 12 – 180 Vdc Motors | Reversible Motor | Variable Speed AC Motor | Variable Speed DC Motor | Brushless DC Motors (BLDC) | Electro-Mechanical Brake Motor | Right Angle Geared Motors

## AC Compact Geared Motors – 90 mm (KC)

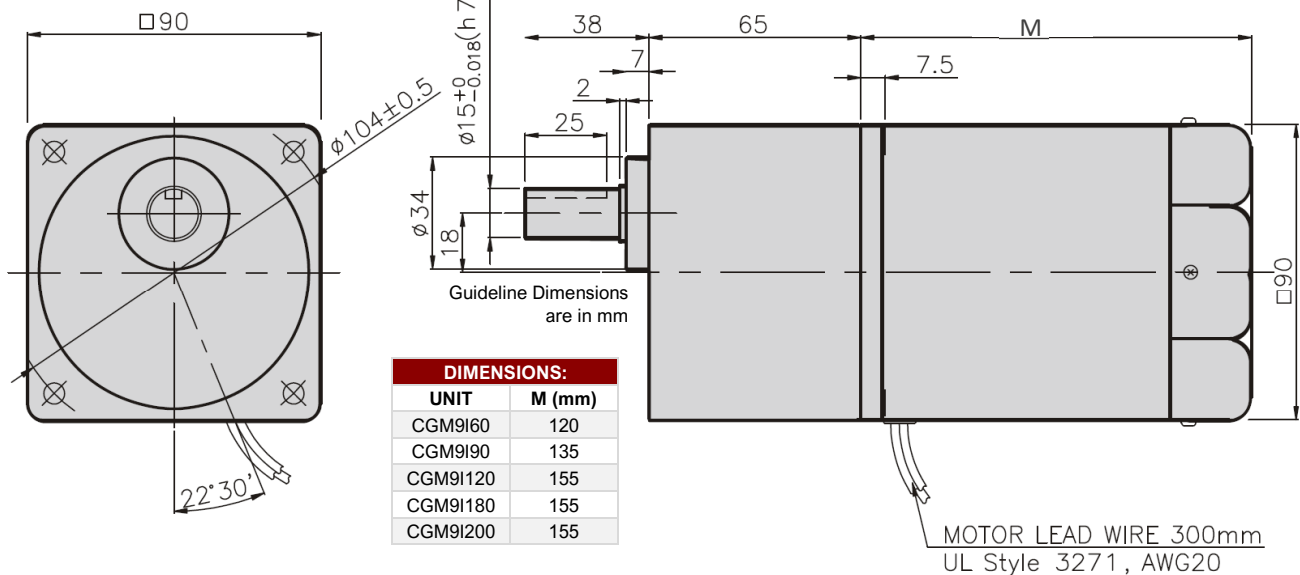


Motor:

PRODUCT CODE	WATTS	RPM	VOLTS	TORQUE (Nm)
CGM9I60	60	1300	220 VAC – Single Phase 230 VAC – Three Phase 380 VAC – Three Phase	0.47
CGM9I90	90			0.65
CGM9I120	120			0.88
CGM9I180	180			1.32
CGM9I200	200			1.45

Nm = Newton Meters Torque / RPM = Revolutions per Minute

### Dimensions:



### Gearbox:

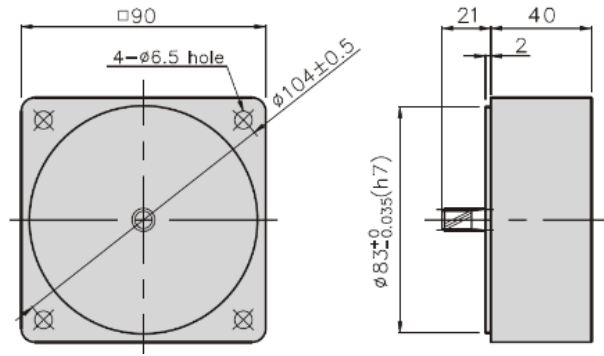
MAX Permissible Torque (Nm): KC = 20 Nm / KH = 30 Nm

RATIO	3	5	10	15	20	30	40	50	75	100	150	200
RPM	433.3	260	130	86.6	65	43.3	32.5	26	17.3	13	8.6	6.5
Torque (Nm) CGM9I60 – 120 mm (M)	1.14	1.90	3.80	5.15	6.86	9.30	12.40	15.51	20	20	20/30	20
Torque (Nm) CGM9I90 – 135 mm (M)	1.58	2.63	5.27	7.11	9.49	12.87	17.16	20/30	20	20	20/30	20
Torque (Nm) CGM9I120 – 155 mm (M)	2.19	3.65	7.29	9.84	13.12	17.7	20	20/30	20	20	20/30	20
Torque (Nm) CGM9I180 – mm (M)	3.28	5.47	10.94	14.76	19.68	20	20	20/30	20	20	20/30	20
Torque (Nm) CGM9I200 – 155 mm (M)	3.52	5.87	11.75	15.88	20	20	20	20/30	20	20	20/30	20

# AC Compact Geared Motor

90 mm - KC

Ratios up to 20,000 / 1 with 10:1 Decimal Gearbox:



## Options:

- ✓ 110 VAC
- ✓ **Other Voltages** available on request
- ✓ Reversible
- ✓ **Speed Control**
- ✓ **Magnetic Brake**
- ✓ Terminal Box
- ✓ **Permanent Magnet DC**
- ✓ **BLDC & Controller**
- ✓ Foot Bracket and
- ✓ **Other Gear Options.**

- **Right Angle Gears** available on request
- **Brake Motor** options available on request
- **Custom Modifications** can be made to achieve higher output torques at lower output speeds.
- For more information, **please contact the Sales Team**

KH Gear box – 50:1 and 150:1

