

t: + (27) 011 468 1881 c: + (27) 074 465 1744
 e: 01@BirCraft.co.za w: www.BirCraft.co.za

12 / 24Vdc Motors GSM750-18-24



Features:

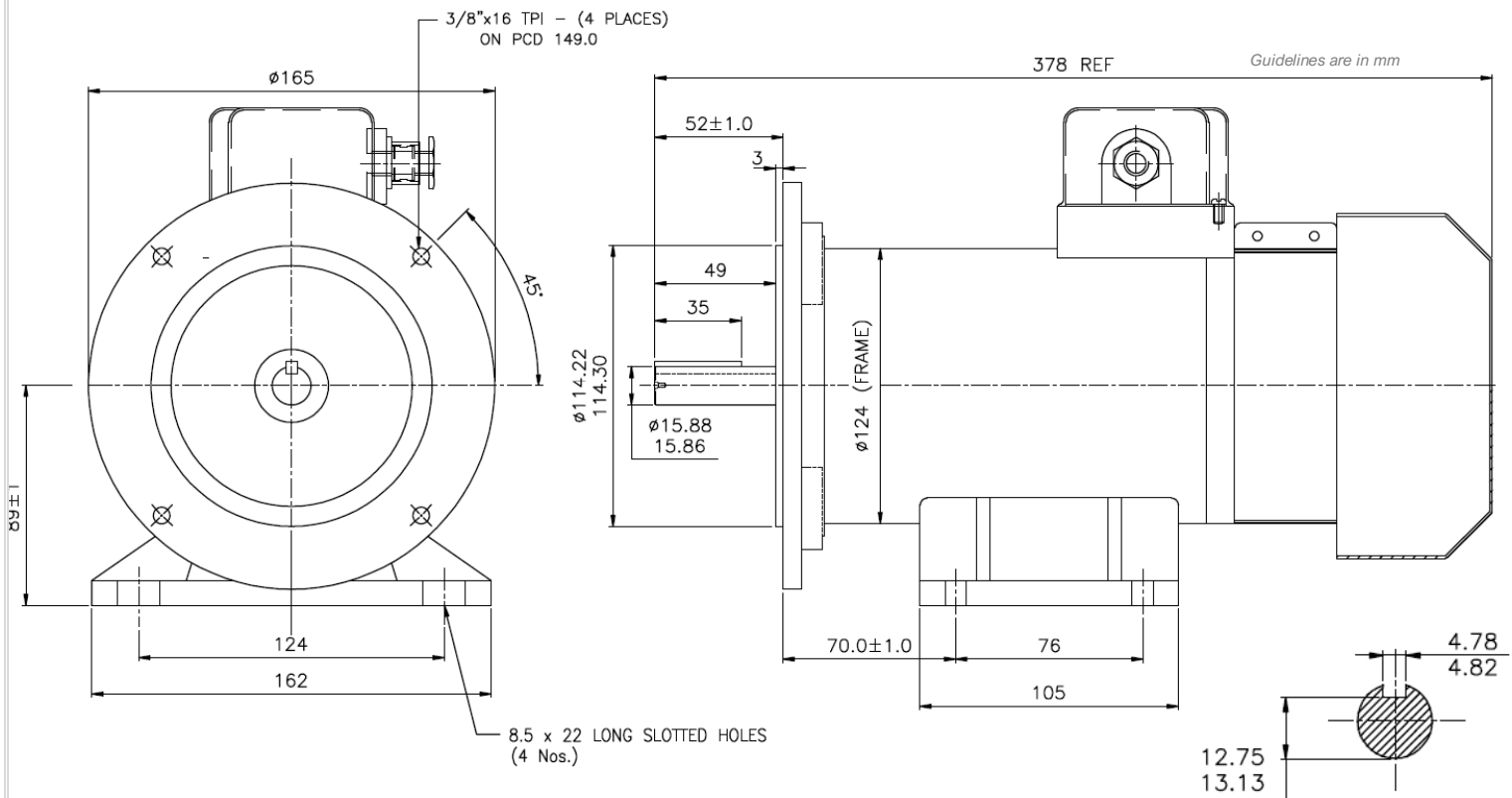
- **Permanent Magnet** DC Motor
- Available in **12Vdc** and **24Vdc**
- Other **Voltages** available on **request**
- **Removeable** Feet

Motor Specifications:

PRODUCT CODE	WATTS	RPM	VOLTS	CURRENT	DUTY	INSULATION CLASS	IP
GSM750-18-24	750	1750	24	40	S1	F	55

RPM = Revolutions per Minute / S1 = Continuous running duty / S2 = Short Time Duty – Motor works at a constant load, but NOT long enough to reach temperature equilibrium and ensure the rest period is long enough for the motor to reach ambient temperature.

Dimensions:



GUIDELINE DIMENSIONS ONLY

Information supplied here within is as per the latest documentation received from our partners. Our Partners reserve the right to make modifications without notice. Please speak to the **BirCraft** team for the most updated information. Please note that the **Customer** is responsible for determining that the product will perform suitably for their intended application.