

t: + (27) 011 468 1881 c: +(27) 074 465 1744
 e: 01@BirCraft.co.za w: www.BirCraft.co.za

Mini Linear Actuators LA – J Model Overview



For typical applications where a **Push and Pull, Lift and Lower, Open and Close or Tilt and Pivot** linear movement required.

Some applications include Automated Locks, Valves, Medical Beds, Furniture, Windows, Blinds, Louvres, Solar Tracking, Agricultural Equipment, Laboratory Equipment, Robotics, Campers, Caravans, 4x4's, Accelerators / Throttles, Boating, Truck Enclosures and many more!

Features

DC mini permanent magnet motor.
Speed from 5 mm/s to 58 mm/s as requested.
 Maximum **load** of 2000 N.
 Normal Temperature Range – 40°C ~ 65°C.
 Duty Cycle: 25 % with full load.
Optional: Potentiometer
 Built in Limit Switch
 IP Grade: IP66
 Certificate: CE

Accessories

Controller:
 220 Vac Supply
 12 / 24 Vdc Output



Mounting Bracket

Transmission Parameters:

Motor Speed	Rating Load (N)	Speed (mm/s) + 10%		Current - Amp (Normal Temperature)							
				12V		24V		36V		48V	
		No Load	Full Load	No Load	Full Load	No Load	Full Load	No Load	Full Load		
4000 RPM	2000	5	4	1.2	3.5	0.6	2	0.4	1.5	0.3	1
	1600	7	5.5	1.2	3.5	0.6	2	0.4	1.5	0.3	1
	1200	10	8	1.2	3.5	0.6	2	0.4	1.5	0.3	1
	700	18	14	1.2	3.5	0.6	2	0.4	1.5	0.3	1
	300	38	30	1.2	3.5	0.6	2	0.4	1.5	0.3	1
6000 RPM	1200	8	6	1.5	4	0.8	2.5	0.5	1.5	0.3	1
	800	10	8	1.5	4	0.8	2.5	0.5	1.5	0.3	1
	600	14	11	1.5	4	0.8	2.5	0.5	1.5	0.3	1
	400	28	22	1.5	4	0.8	2.5	0.5	1.5	0.3	1
	200	58	45	1.5	4	0.8	2.5	0.5	1.5	0.3	1

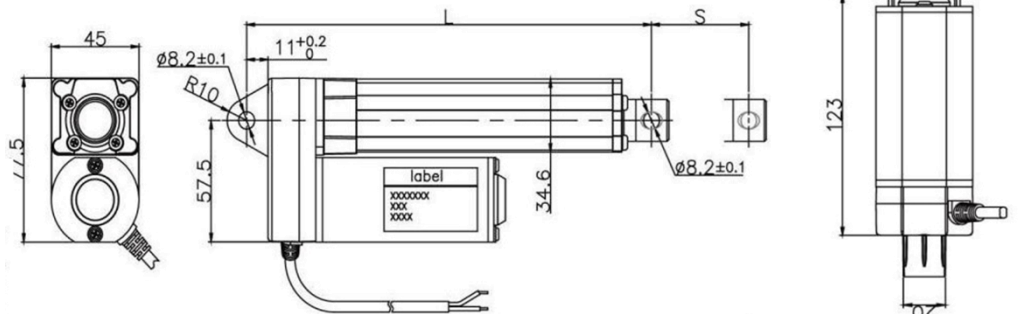
Options:

- Hall sensor
- Potentiometer

Overall dimensions will be different if hall sensor and potentiometer are added. For longer stroke length and high loads, please contact one of your sales consultants to clarify required parameters.

Dimension Standard:

50 ≤ Stroke < 300, L=S+108
 Stroke: 30, Speed: 20+, L ≤ 140
 300 ≤ Stroke < 500, L=S+120
 500 ≤ Stroke ≤ 600, L=S+130
 Mounting Holes 90° (Standard)



Please ensure that when installing Linear Actuators that there is a support system in place. Linear Actuators are meant to Push and Pull, Lift and Lower, Open and Close or Tilt and Pivot only. Failure to provide a support system will cause damage and/or failure to the unit.

Address: 320 B Percheron Road, Kyalami, Midrand, 1684
 GPS Coordinates: S 25.98115° / E 028.06869°

GUIDELINE DIMENSIONS ONLY

Information supplied here within is as per the latest documentation received from our partners.

Our Partners reserve the right to make modifications without notice. Please speak to the BirCraft team

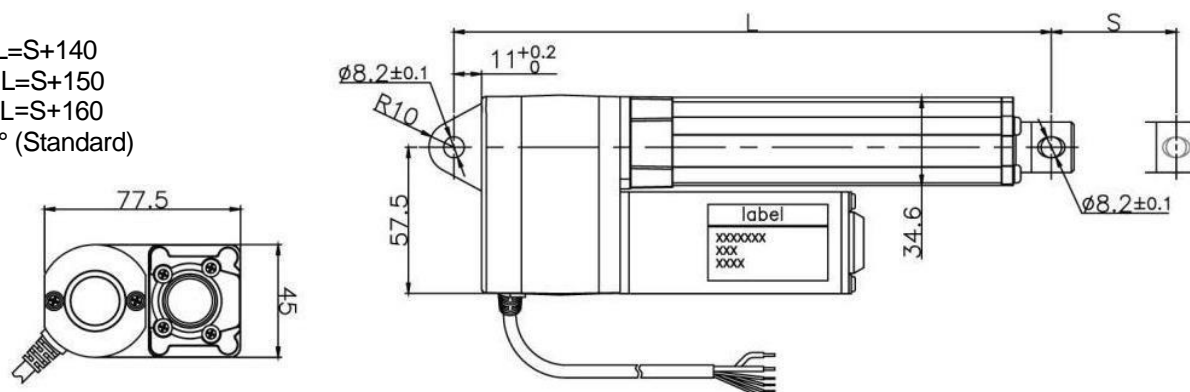
Page 1 of 2 for the most updated information. Please note that the Customer is responsible for determining that the product will perform suitably for their intended application.

Potentiometer Range:

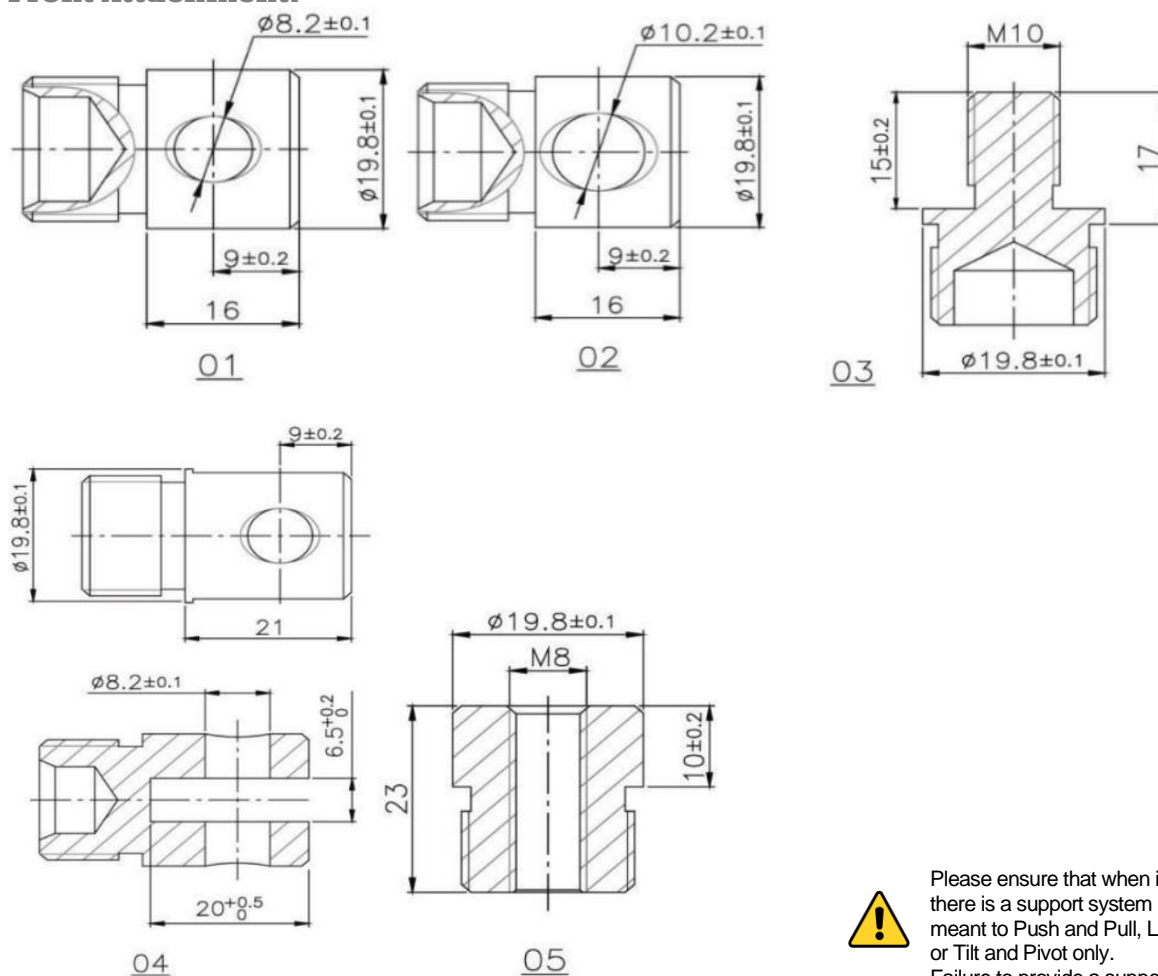
OUTPUT SIGNAL	FEATURES / STROKE	RESOLUTION 1 MM STROKE ± 10 %
POTENTIOMETER	0 – 76 mm 10 KΩ	0.13158 KΩ
	0 – 215 mm 10KΩ	0.0465 KΩ

Dimension Standard with Potentiometer:

50 ≤ Stroke <300, L=S+140
 300 ≤ Stroke <500, L=S+150
 500 ≤ Stroke ≤600, L=S+160
 Mounting Holes 90° (Standard)



Front Attachment:



Please ensure that when installing Linear Actuators that there is a support system in place. Linear Actuators are meant to Push and Pull, Lift and Lower, Open and Close or Tilt and Pivot only. Failure to provide a support system will cause damage and/or failure to the unit.